

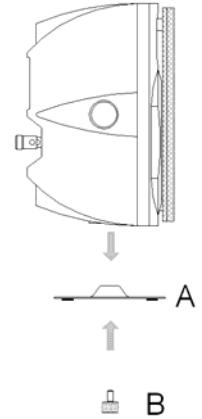
GALAXY Owner's manual

Installation

Mounting the various supports:

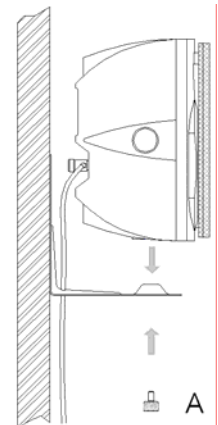
Table support:

Under each satellite speaker, fix the support **A** using the screws **B** supplied.
You can place the speakers on a shelf.



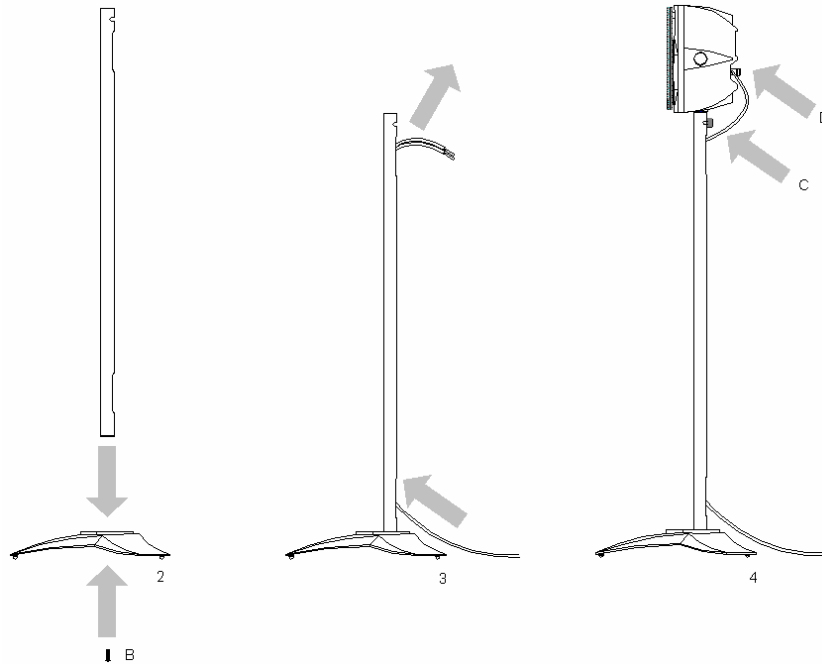
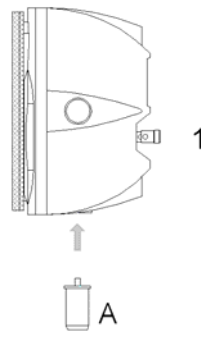
Wall supports:

Wall supports are brackets enabling your speaker to be fixed to a wall. First drill two holes 35 mm apart. Screw heads should be greater than 5 mm in diameter. Fix the brackets and screw the speakers to them with the screws **A**. For aesthetic purposes, pass the ampli/speaker connection cable through the bracket, through the 8 mm diameter hole.



Foot supports: (optional)

1. Screw the attachment plug **A** to the satellite.
2. Fix the tube to the base using the screw **B**.
3. Pass the ampli/speaker connection cable through the tube.
4. Insert the plug with the satellite fixed on it to the other end of the tube. Use the wrench **C** to hold and direct the satellite. Finally, connect cable **D** (see chapter on connection).



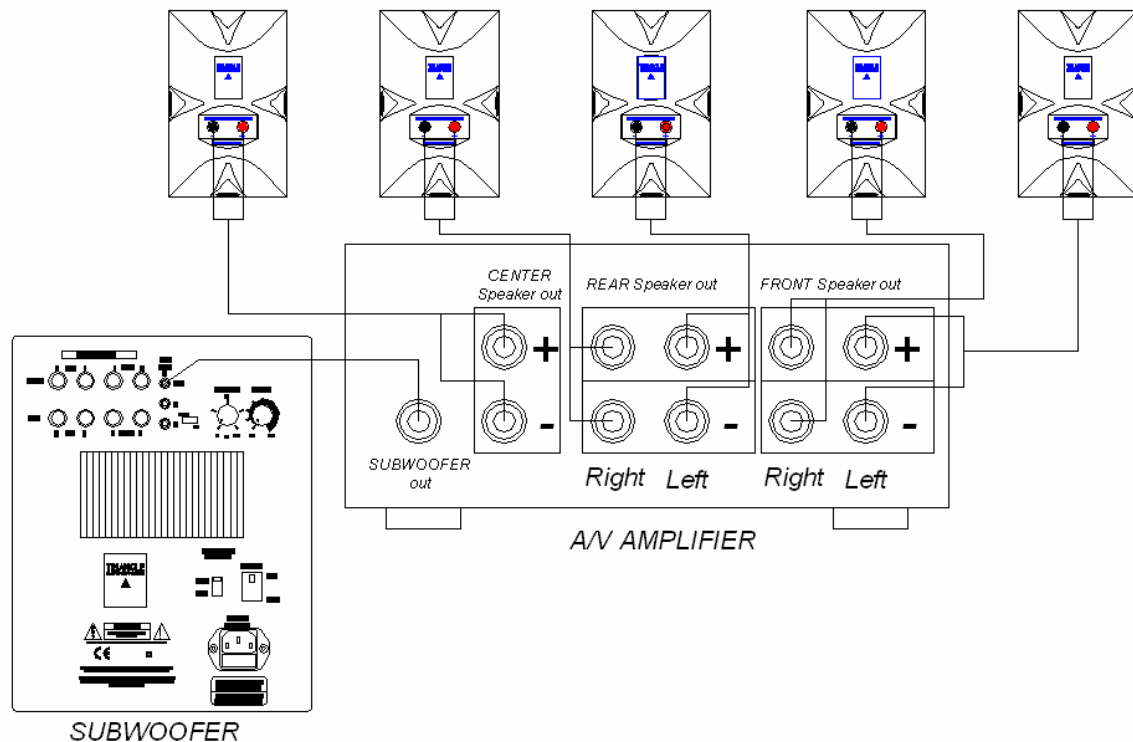
Connecting the speakers

Before connecting your installation, make sure all equipment is switched off.

The speakers are equipped with terminals accepting bare wire of diameter maximum 4 mm. We recommend you carefully strip the end of each wire (on about 1 cm) and insert it into the holes provided. Connection is made using the terminals, which when screwed, hold the cables tightly.

To prevent the risk of short circuiting, it is important to ensure that no strand of wire is in contact with the opposite terminal pole. Use the same length of cable for the left and right channels.

On connection, it is essential to the coherence of the end result, to respect the polarity in all unit speakers. The red + terminals on the satellites should be connected to the red + terminals on your amplifier. Similarly, the black - terminals on the satellites should be connected to the black - terminals on your amplifier.



Cleaning the speakers

Clean with a soft cloth and never use detergent or solvent as you risk damaging the surface finish of your speakers.