

The "Classic Line by Screen Research", is an affordable range of for high quality video projection screens for Home Theater installations. Manufactured in Europe, easy to configure and fast to install, the products offers advanced design features unmatched before in this price category, as the highly recognized and ISF certified SolidPix™ screen surfaces for superior image fidelity.

Fixed Frame Classic

One of the most annoying effects on vision is caused by light reflecting off the frame of the screen. Extensive research into the structure of the profile, both from a functional and an aesthetic point of view, has resulted in the creation of a screen equipped with a special aluminium frame, angular on the internal side. A solution designed to direct the reflection towards the outer edges of the screen instead of the projection surface or the audience.

The profiles are coated in a velvety flock finish, which totally absorbs light and enhances the perception of contrast in the projected images.

Tensioning is provided by elastic cables which guarantee the perfect planarity of the surface, preventing any risk of undulation. The main applications of this product are in the Home Cinema sector; its use in the domestic environment is favoured by a harmonious design and by the installation system incorporated into the profile: the wall-mounted bracket slides into the back of the frame and disappears, ensuring the total adherence of the frame to the wall.



Screen Surface:

- > SolidPix™ High Definition screen surface
- > Matte White or Dark Grey for ambient light compatibility
- > Imaging Science Foundation (ISF) certification
- > Micro-perforated version for acoustically transparent applications (PerfPix)

Features:

- > Light reflecting optimized frame design
- > Constant Fabric Tensioning for perfect flat surface
- > Easy and fast fabric mount attachment system

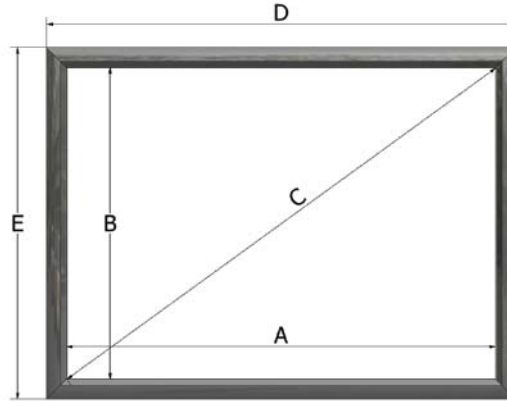
Standard accessories:

- > Wall mount brackets

Optional accessories:

- > Adjustable floor-mount stands





Format	Model	Code	Net surface width	Net surface height	Net diagonal	Overall width	Overall height	Shipment size " (cm)	Gross weight (Kg)	Net weight (Kg)
			A" (mm)	B" (mm)	C" (mm)	D" (mm)	E" (mm)			
16:9	PSCHP1900	CLF-80-178-	80 (2032)	64.0 (1142)	91.8 (2331)	84.3 (2141)	49.3 (1251)	88x6x7 (223x15x18)	35.2 (16.0)	28.6 (13.0)
	PSCHP1901	CLF-90-178-	90 (2286)	72.0 (1284)	103.2 (2622)	94.3 (2395)	54.3 (1394)	98x6x7 (249x15x18)	37.4 (17.0)	30.8 (14.0)
	PSCHP1902	CLF-96-178-	96 (2438)	77.0 (1370)	110.1 (2797)	100.3 (2548)	58.3 (1479)	104x6x7 (264x15x18)	38.0 (17.3)	31.5 (14.3)
	PSCHP1903	CLF-100-178-	100 (2540)	80.0 (1427)	114.7 (2913)	104.3 (2649)	60.5 (1536)	108x6x7 (274x15x18)	38.5 (17.5)	31.9 (14.5)
	PSCHP1904	CLF-110-178-	110 (2794)	88.0 (1570)	126.2 (3205)	114.3 (2903)	66.1 (1679)	118x6x7 (299x15x18)	39.6 (18.0)	33.0 (15.0)
	PSCHP1905	CLF-120-178-	120 (3048)	96.0 (1712)	137.6 (3496)	124.3 (3157)	71.7 (1822)	128x6x7 (325x15x18)	40.7 (18.5)	34.1 (15.5)
2.40	PSCHP1900	CLF-80-240-	80 (3032)	33.3 (847)	86.7 (2201)	84.3 (2141)	37.6 (956)	88x6x7 (223x15x18)	30.8 (14.0)	24.2 (11.0)
	PSCHP1901	CLF-90-240-	90 (2286)	37.5 (953)	97.5 (2477)	94.3 (2395)	41.8 (1062)	98x6x7 (249x15x18)	33.0 (15.0)	26.4 (12.0)
	PSCHP1902	CLF-96-240-	96 (2438)	40.0 (1016)	104 (2642)	100.3 (2548)	44.3 (1125)	104x6x7 (264x15x18)	33.7 (15.3)	27.1 (12.3)
	PSCHP1903	CLF-100-240-	100 (2540)	41.7 (1058)	108.3 (2752)	104.3 (2649)	46.0 (1168)	108x6x7 (274x15x18)	34.1 (15.5)	27.5 (12.5)
	PSCHP1904	CLF-110-240-	110 (2794)	45.8 (1164)	119.2 (3027)	114.3 (2903)	50.1 (1274)	118x6x7 (299x15x18)	35.2 (16.0)	28.6 (13.0)
	PSCHP1905	CLF-120-240-	120 (3048)	50.0 (1270)	130 (3302)	124.3 (3157)	54.3 (1379)	128x6x7 (325x15x18)	36.3 (15.5)	29.7 (13.5)

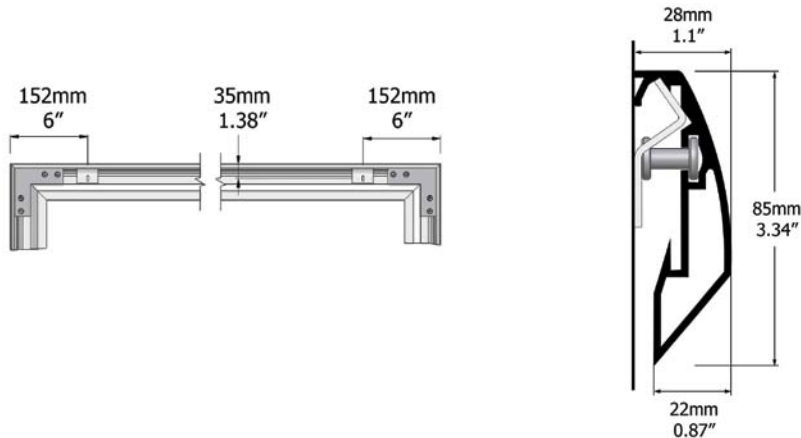
Intermediate sizes available on request

Screen fabric table



Fabric category	Description	Gain	Min/Max	Acoustically transparent	ISF Video
SolidPix	SolidPix2 Matte White 1.0	1.0	70"/120"		•
	SolidPix2 High-contrast Gray 0.9	0.9	70"/120"		•
PerfPix	PerfPix Matte White 1.0	1.0	70"/120"	•	•

Frame details



Tolerance on screen dimensions: ± 10 mm (± 0.4").
All quoted weights are approximate (± 5 %). Weights of finished screens will vary depending on options specified.