

The "Classic Line by Screen Research", is an affordable range of for high quality video projection screens for Home Theater installations.

Manufactured in Europe, easy to configure and fast to install, the products offers advanced design features unmatched before in this price category, as the highly recognized and ISF certified SolidPix™ screen surfaces for superior image fidelity.

In-Ceiling-Wall motorized Screen

Designed to be positioned inside the ceiling, and to disappear completely when not in use, the specificity of this product is the attention brings to the details in order to get a perfect result, an ideal flat surface and a quiet mechanism. Automatic adjustable tab-tensioning system, highly precise black borders applied with high frequency welding, vibration proof and silent stop motors, crease proof, fold-free rolling mechanism, are just examples of the attention to design and quality that is characteristic of this product. Equipped with the Classic lateral tensioning of the screen surface, that is very efficient and do not require any adjustment, all the visible and invisible features of this product will guaranty an enjoyable and durable home theater experience, fully integrated in your leaving environment.



Screen Surface:

- > SolidPix™ High Definition screen surface
- > Matte White or Dark Grey for ambient light compatibility
- > Imaging Science Foundation (ISF) certification
- > Micro-perforated version for acoustically transparent applications (PerfPix)

Features:

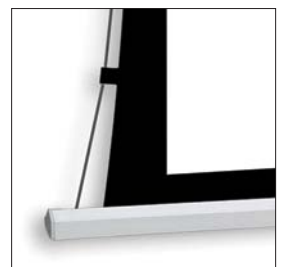
- > In-Ceiling integration design
- > Classic tensioning system
- > Crease proof, fold free technology
- > Vibration proof and silent stop motors

Standard accessories:

- > In-Ceiling mount brackets

Optional accessories:

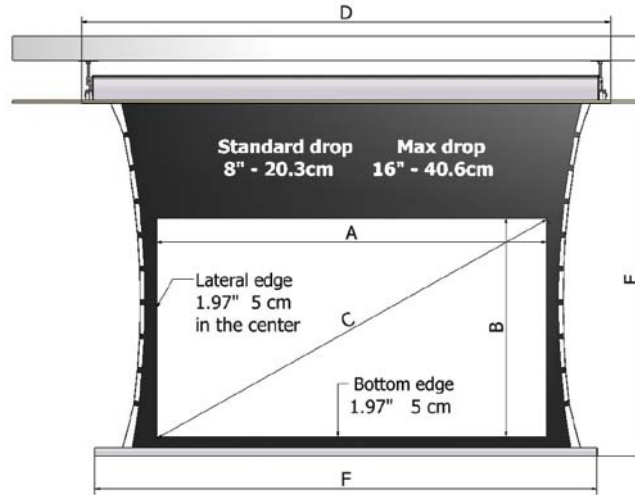
- > Infrared or Radio Frequency remote control
- > Additional Top Black Drop Length



Solid **Pix2**

Solid **Pix**

isf
ccc



Format	Model	Code	Net surface width	Net surface height	Net diagonal	Overall width	Overall height	Batten width	Shipment size " (cm)	Gross weight lb (Kg)	Net weight lb (Kg)
			A " (mm)	B " (mm)	C " (mm)	D " (mm)	E " (mm)	F " (mm)			
16:9	PSCHP3200	CLIC-80-178-	80 (2032)	44.9 (1143)	91.8 (2331)	96.5 (2452)	61.0 (1551)	95.9 (2436)	88x6x7 (223x15x18)	49.5 (22.5)	38.5 (17.5)
	PSCHP3301	CLIC-90-178-	90 (2286)	50.6 (1284)	103.2 (2622)	106.5 (2706)	66.7 (1693)	105.9 (2690)	98x6x7 (249x15x18)	51.7 (23.5)	40.7 (18.5)
	PSCHP3202	CLIC-96-178-	96 (2438)	53.9 (1370)	110.1 (2797)	112.5 (2859)	70.0 (1779)	111.9 (2843)	104x6x7 (264x15x18)	55.0 (25.0)	44.0 (20.0)
	PSCHP3203	CLIC-100-178-	100 (2540)	56.2 (1427)	114.7 (2913)	116.5 (2960)	72.3 (1836)	115.9 (2944)	108x6x7 (274x15x18)	57.2 (26.0)	46.2 (21.0)
	PSCHP3204	CLIC-110-178-	110 (2794)	61.8 (1570)	126.2 (3206)	126.5 (3214)	77.9 (1979)	125.9 (3198)	118x6x7 (299x15x18)	59.4 (27.0)	48.4 (22.0)
PSCHP3205	CLIC-120-178-	120 (3048)	67.4 (1712)	137.6 (3496)	136.5 (3468)	83.5 (2121)	135.9 (3452)	128x6x7 (325x15x18)	61.6 (28.0)	50.6 (23.0)	
2.40	PSCHP3200	CLIC-80-240-	80 (2032)	33.3 (847)	86.7 (2201)	96.5 (2452)	49.4 (1256)	95.9 (2436)	88x6x7 (223x15x18)	47.3 (21.5)	36.3 (16.5)
	PSCHP3301	CLIC-90-240-	90 (2286)	37.5 (953)	97.5 (2477)	106.5 (2706)	53.6 (1361)	105.9 (2690)	98x6x7 (249x15x18)	49.5 (22.5)	38.5 (17.5)
	PSCHP3202	CLIC-96-240-	96 (2438)	40.0 (1016)	104.4 (2642)	112.5 (2859)	56.1 (1425)	111.9 (2843)	104x6x7 (264x15x18)	52.8 (24.0)	41.8 (19.0)
	PSCHP3203	CLIC-100-240-	100 (2540)	41.7 (1058)	108.3 (2752)	116.5 (2960)	57.8 (1467)	115.9 (2944)	108x6x7 (274x15x18)	55.0 (25.0)	44.0 (20.0)
	PSCHP3204	CLIC-110-240-	110 (2794)	45.8 (1164)	119.2 (3027)	126.5 (3214)	61.9 (1573)	125.9 (3198)	118x6x7 (299x15x18)	57.2 (26.0)	46.2 (21.0)
PSCHP3205	CLIC-120-240-	120 (3048)	50.0 (1270)	130.0 (3302)	136.5 (3468)	66.1 (1679)	135.9 (3452)	128x6x7 (325x15x18)	59.4 (27.0)	48.4 (22.0)	

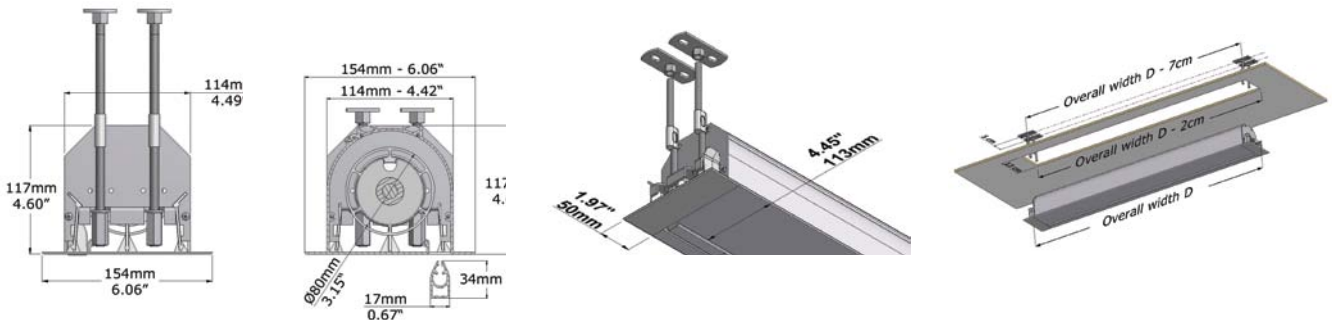
Intermediate sizes available on request

Screen fabric table



Fabric category	Description	Gain	Min/Max	Acoustically transparent	ISF Video
SolidPix	SolidPix2 Matte White 1.0	1.0	70"/120"		•
	SolidPix2 High-contrast Gray 0.9	0.9	70"/120"		•
PerfPix	PerfPix Matte White 1.0	1.0	70"/120"	•	•

Case details



Tolerance on screen dimensions: ± 10 mm (± 0.4").
 All quoted weights are approximate (± 5%). Weights of finished screens will vary depending on options specified.