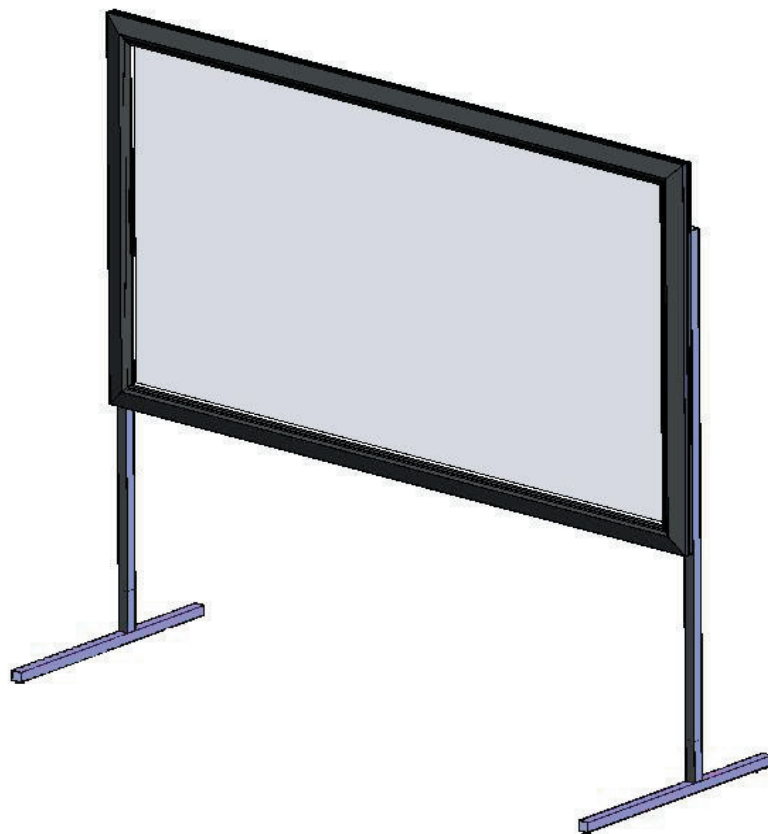


T-Mount Legs Size2 Installation Manual

Revision A 2007.01.19



SCREEN Home Theater Systems

RESEARCH

FOREWORDS: Typographic Convention

So that our manuals are easy to read and understand, we have adopted the following typographic convention:

Iconography



Indicates additional information concerning the subject.



Indicates a potentially hazardous situation which, if not avoided, could result in serious injury or death.



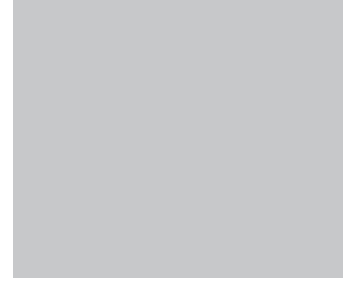
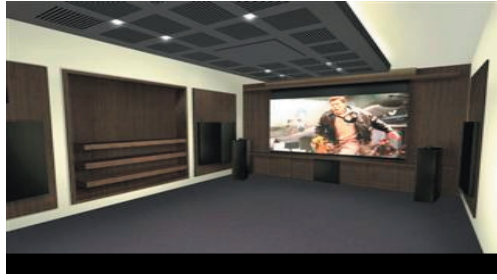
Indicates a potentially hazardous situation which, if not avoided, could result in minor or moderate injury. It may also be used to alert unsafe practices.



Emphasis an important point which must not be ignored.

Action: W: Written R: Page revised A: Page added D: Page deleted C: Rewritten completely					
Date	Rev. N°	Action	New Pages	Rev. Pages	Reason for Change
2007.01.19	A	W	1		New document.

Before The Installation	9
Warning And Safeguards	11
Tools Needed	12
Unpacking	13
How To Assemble Your T-Mount Legs Size 2?	15
Assemble Your T-Mount Legs	17
A - Legal Information	19



Before The Installation

1

This chapter provides basic information about your T-Mount Legs.

Read this chapter to learn about :

- Warning And Safeguards
- Tools Needed
- Unpacking



Warning And Safeguards

The purpose of this chapter is to help you to prevent from damage your T-Mount Legs. It tells you also what you can do to avoid or reduce injury.

Temperature And Hydrometry

To prevent from damage your T-Mount Legs avoid exposure to drastic temperature changes. Operating temperature is between 16 C° and 28 C°. Operating humidity is between 30% to 70% of hydrometrie.

To prevent any unsafe situations, no naked flame sources, such as lighted candles, should be placed in the vicinity. Avoid heat, direct sunlight and exposure to rain or water. The equipment shall not be exposed to dripping or splashing.

Workspace

Keep your workspace clean and well enlightened. Working areas in disorder or dark can cause accidents. Thoroughly inspect the area where your screen is going to be equipped and remove all objects which may be dangerous for assembly.

Never operate while people unfamiliar with the instructions (especially children) are nearby. Keep in mind that the operator is responsible for accidents or hazards occurring to other people.

Replacement Part

When replacing parts is required, be sure the technician has used replacement parts which are specified by Screen Research, or have the same specifications with the original ones. Unauthorized substitutions may result in fire, electrical shock, or other hazards.

Warranty

Screen Research's warranty covers defects in workmanship and materials provided.

The T-Mount Legs Size 2 has been installed in a normal environment and maintained according to the written instructions.

Frame, projection surface material and assembly hardware are guaranteed for two years from date of installation, not to exceed twenty-seven months from the date of invoice.

Tools Needed

You will need:

- A level.
- A flat screwdriver.

Unpacking

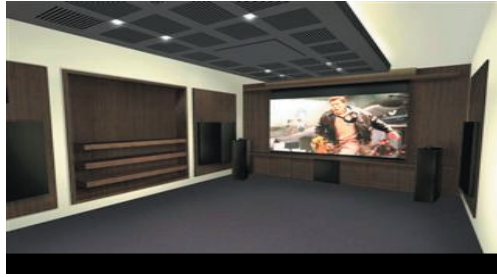
Contents Of Shipping Boxes

Your T-Mount Legs size 2 are shipped with the necessary materials to install them.

Carefully unpack and check that you have all of the items shown in the inventory list presented in the Appendix A.

Keep Your Packing Materials

Save the shipping box and packing materials in case your product should require shipping to your dealer's Service Center for repair.



How To Assemble Your T-Mount Legs Size 2?

2

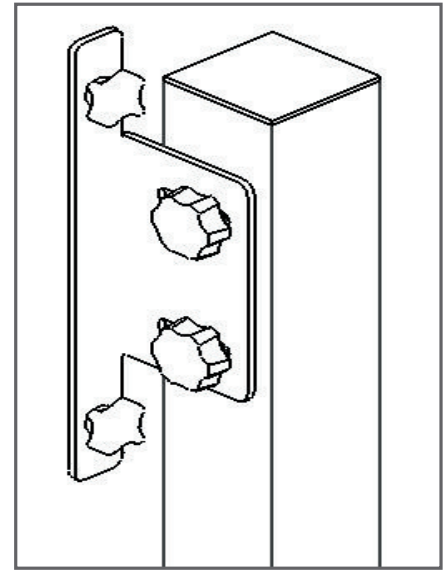
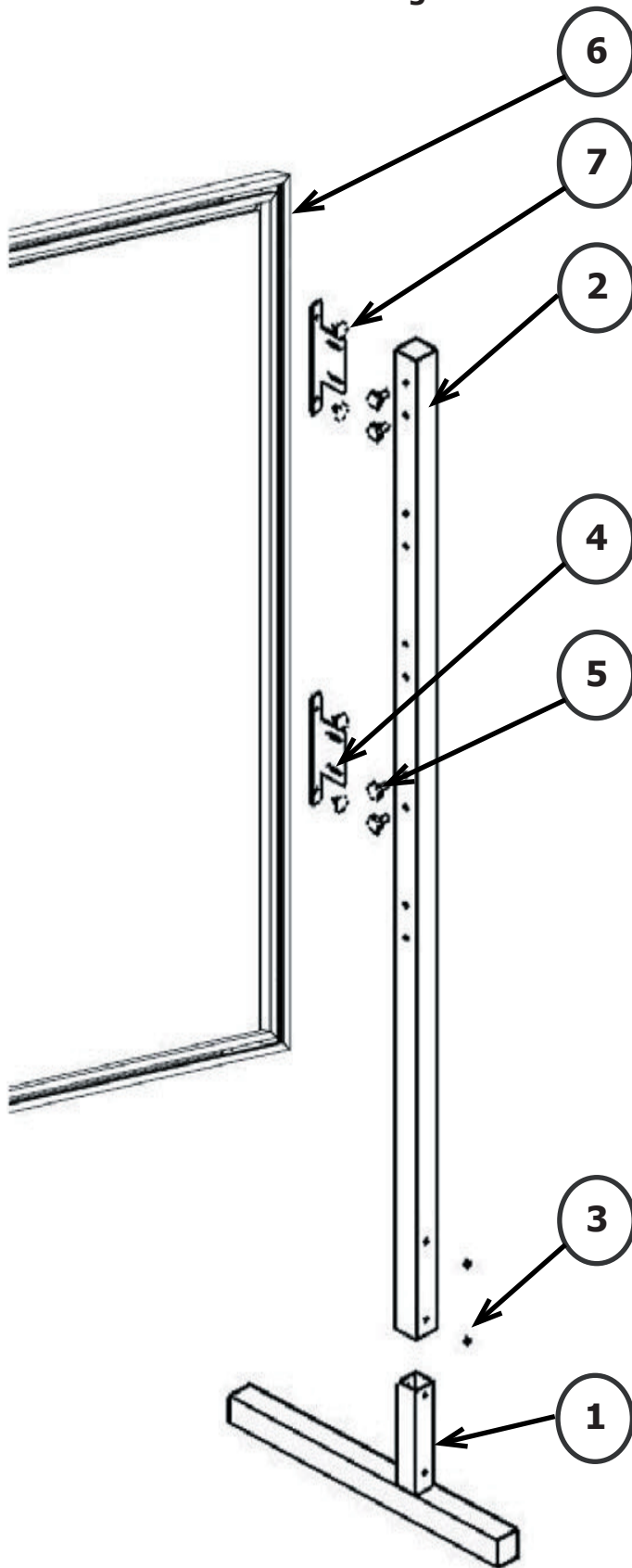
This chapter describes how to assemble the frame of your T-Mount Legs.

Read this chapter to learn how to:

- Assemble Your T-Mount Legs



Assemble Your T-Mount Legs



1 - Insert the Stand Base (1) into the Stand Rising Tube (2).

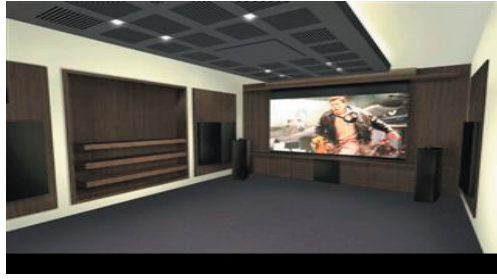
2 - Attach them with 2 Knobs (M6) (3).

3 - Fix the Mounting Brackets (4) to the Stand Rising Tube by screwing 2 Knobs (M6 x 10) (5) through the holes in both the Mounting Brackets and the Stand Rising Tube.

4 - Attach the Frame (6) by passing 2 Knobs (M6 x 20) (7) through the holes into the Mounting Brackets.

5 - Repeat the steps from 1 to 4 for the second leg.

ITEM	DESCRIPTION	QTY
1	Stand Base	2
2	Stand Rising Tube	2
3	Knob M6	4
4	Mounting Brackets	4
5	Knob (M6 x 10)	8
6	Screen Frame	-
7	Knob (M6 x 20)	8



Legal Information

B

All information in this manual is based on the latest product information available at the time of printing. Screen Research reserves the right to make changes at any time without notice and without incurring any obligation.

This manual should be considered a permanent part of the T-Mount Legs Size 2 and should remain with the screen if resold.



Copyright© 2006 Screen Research
All Rights Reserved
rue du Finistère
ZAC Erdre Active
44240 La Chapelle-sur-Erdre
FRANCE
Tel: +33 (0)2 40 77 87 89
Fax: +33 (0)2 40 77 86 78

All Rights Reserved

This publication is protected by copyright and all rights are reserved. No part of it may be reproduced or transmitted by any means or in any form, without prior consent in writing from Screen Research.

The information in this manual has been carefully checked and is believed to be accurate. However, changes are made periodically. These changes are incorporate in newer publication editions. Screen Research may improve and/or change products described in this publication at any time. Due to continuing system improvements, Screen Research is not responsible for inaccurate information which may appear in this manual. For the latest product updates, consult the Screen Research Web site at www.screenresearch.com. In no event will Screen Research liable for direct, indirect, special, exemplary, incidental, or consequential damages resulting from any defect or omission in this manual, even if advised of the possibility of such damages.

In the interest of continued product development, Screen Research reserves the right to make improvements in this manual and the products it describes at any time, without notices or obligation.

Trademark Acknowledgments

ClearPix1, ClearPix2 and SolidPix1 are registered trademarks of Screen Research. All other product names mentionned herein are used for identification purpose only, and may be the trademarks or registered trademarks of their respective companies.

For late-breaking news, handy references visit our Internet Website.



+33 (0)2 40 77 87 89



<http://www.screenresearch.com>
e-mail: info@screenresearch.com