

Supreme 2 In-Ceiling Motorized Screens Slot Opening

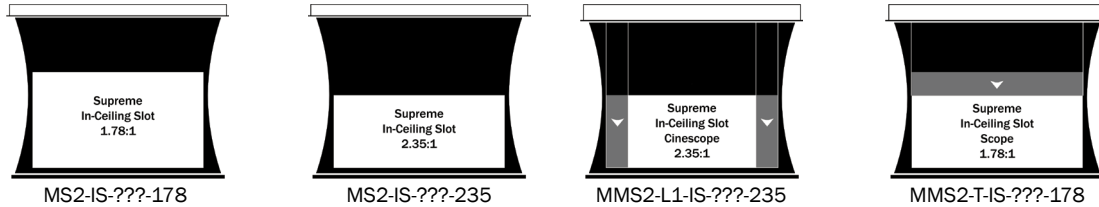
- Screen Fabric
- Accessories
- Control Type

			Index
Product Overview			3
No Masking - Slot Opening	1.78:1 Native Image Ratio	ClearPix A.T. Fabric	4
		SolidPix Fabric	5
No Masking - Slot Opening	2.35:1 Native Image Ratio	ClearPix A.T. Fabric	6
		SolidPix Fabric	7
Top Masking - Scope - Slot Opening	1.78:1 Native Image Ratio	ClearPix A.T. Fabric	8
		SolidPix Fabric	9
Side Masking - Cinescope - Slot Opening	2.35:1 Native Image Ratio	ClearPix A.T. Fabric	10
		SolidPix Fabric	11
Masking Dimensions	1.78:1 Native Image Ratio	Scope	12
Masking Dimensions	2.35:1 Native Image Ratio	Cinescope	13
Screen Research Contacts			14

Product Overview

This technical document contains the models, sizes and formats from the extensive Screen Research range of Supreme Motorized Screens. If you require information and/or pricing on models, sizes and variants not contained in this document, please contact Screen Research, their representative or distributor who will be able to assist you.

MOTORIZED SCREENS IN-CEILING SUPREME2



AVAILABLE OPTIONS	MS2-IS-???-178	MS2-IS-???-235	MMS2-L1-IS-???-235	MMS2-T-IS-???-178
Reverse roll: inverted roller and fabric mounting	•	•		
Extra 10" screen drop (ref. ED10)	Refer to the table below			
Lutron® Sivoia QED™ (Quiet Electronic Drive) motor. Available on screens up to 110" wide, Requires Lutron control system	•	•	•	•
Lutron Sivoia QED 230V transformer	•	•	•	•
Lutron Sivoia QED 110V transformer	•	•	•	•

STANDARD DROP SIZES / EXTRA DROP AVAILABLE OPTIONS														
Native Ratio	Screen Fabric	Ref. Fabric		80"	90"	96"	100"	110"	120"	130"	140"	150"	160"	
1.78:1	ClearPix2 Matte White	2W-B	Standard Drop	10" / 254 mm	•	•	•	•	•	•	•	•	•	
			ED10	10" / 254 mm	•	•	•	•	•	•	•	•	N/A	
			ED20*	20" / 508 mm	•	•	•	•	•	•	•	N/A	N/A	N/A
	ClearPix2 Pearl Gray	2G-B	Standard Drop	10" / 254 mm	•	•	•	•	•	•	N/A	N/A	N/A	N/A
			ED10	10" / 254 mm	•	•	•	•	•	N/A	N/A	N/A	N/A	N/A
			ED20*	20" / 508 mm	•	•	•	N/A	N/A	N/A	N/A	N/A	N/A	N/A
	Solid Pix 1 Matte White or GrayPix Ultra-contrast	SW1 or SCG	Standard Drop	10" / 254 mm	•	•	•	•	•	•	▲	▲	▲	▲
			ED10	10" / 254 mm	•	•	•	•	•	▲	▲	▲	▲	▲
			ED20*	20" / 508 mm	▲	▲	▲	▲	▲	▲	▲	▲	▲	▲
2.35:1	ClearPix2 Matte White	2W-B	Standard Drop	20" / 508 mm	•	•	•	•	•	•	•	•	•	
			ED10	10" / 254 mm	•	•	•	•	•	•	•	•	•	
			ED20*	20" / 508 mm	•	•	•	•	•	•	•	•	N/A	
	ClearPix2 Pearl Gray	2G-B	Standard Drop	20" / 508 mm	•	•	•	•	•	•	•	•	N/A	
			ED10	10" / 254 mm	•	•	•	•	•	•	N/A	N/A	N/A	
			ED20*	20" / 508 mm	•	•	•	•	N/A	N/A	N/A	N/A	N/A	
	Solid Pix 1 Matte White or GrayPix Ultra-contrast	SW1 or SCG	Standard Drop	20" / 508 mm	•	•	•	•	•	•	•	▲	▲	▲
			ED10	10" / 254 mm	•	•	•	•	•	•	▲	▲	▲	▲
			ED20*	20" / 508 mm	•	•	•	•	▲	▲	▲	▲	▲	▲

• = No Seam Required / ▲ = Seam Required

* Casing length may change with the specification of ED20. Casing size for Standard Drop and ED10 are the same. For SolidPix and GrayPix fabrics, all seams are positioned in the black drop only, not in the screen surface.

CONTROL TYPE	MCS TYPE 1					MCS TYPE 2			
	MCS-1-12V	MCS-1-IR	MCS-1-RF	MCS-1-RS232	MCS-1-IP	MCS-2-IR	MCS-2-RF	MCS-2-RS232	MCS-2-IP
MS2-IS-???-178	•	•	•	•	•				
MS2-IS-???-235	•	•	•	•	•				
MMS2-L1-IS-???-235						•	•	•	•
MMS2-T-IS-???-178						•	•	•	•

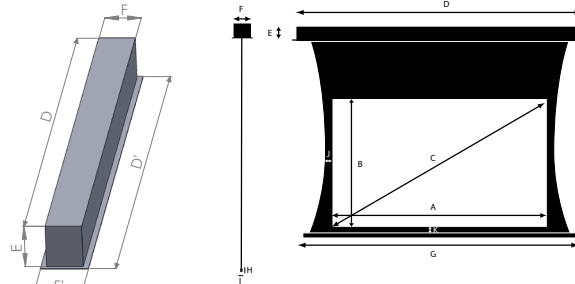
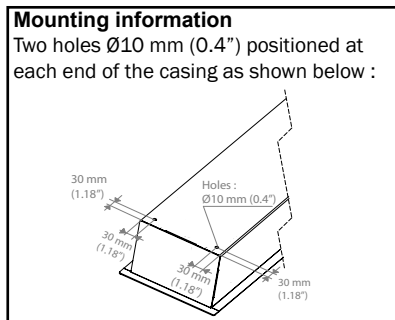
Recommendation : keep the MCS free of access after casing mounting to allow a subsequent operation

No Masking - Slot Opening
1.78:1 Native Image Ratio

ClearPix A.T. Fabric

- Achievable Image Ratio: 1.78:1
- New casing and roller assembly design
- ≤ 110": casing size A ; motorized roller Ø3.6" (Ø 91 mm)
- > 110": casing size B ; motorized roller Ø4.8" (Ø 122 mm)
- White casing, black batten standard
- Patented TFX™ Floating Tab-tensioning included as standard for all screen sizes in all fabrics.

MS2-IS-???-178-2W-B
MS2-IS-???-178-2G-B



Standard native format (1.78:1)

ITEM DESCRIPTION	80	90	96	100	110	120	130	140	150	160
Product Codes	MS2-IS-80-178-	MS2-IS-90-178-	MS2-IS-96-178-	MS2-IS-100-178-	MS2-IS-110-178-	MS2-IS-120-178-	MS2-IS-130-178-	MS2-IS-140-178-	MS2-IS-150-178-	MS2-IS-160-178-
A Native Image Width	80"	90"	96"	100"	110"	120"	130"	140"	150"	160"
B Native Image Height	45"	50.63"	54"	56.25"	61.88"	67.5"	73.13"	78.75"	84.38"	90"
C Native Image Diagonal	1143 mm	1286 mm	1372 mm	1429 mm	1572 mm	1715 mm	1857 mm	2000 mm	2143 mm	2286 mm
D Casing Width	2032 mm	2286 mm	2438 mm	2540 mm	2794 mm	3048 mm	3302 mm	3556 mm	3810 mm	4064 mm
D' Overall Casing Width	2597 mm	2880 mm	3011 mm	3123 mm	3405 mm	3710 mm	3988 mm	4268 mm	4550 mm	4832 mm
E Casing Height	7.37"	7.37"	7.37"	7.37"	7.37"	9.14"	9.14"	9.14"	9.14"	9.14"
F Casing Depth	187 mm	187 mm	187 mm	187 mm	187 mm	232 mm	232 mm	232 mm	232 mm	232 mm
F' Overall Casing Depth	210 mm	210 mm	210 mm	210 mm	210 mm	260 mm	260 mm	260 mm	260 mm	260 mm
G Batten Length	2368 mm	2648 mm	2785 mm	2896 mm	3175 mm	3464 mm	3742 mm	4022 mm	4304 mm	4586 mm
H Batten Height	1.89"	1.89"	1.89"	1.89"	1.89"	2.45"	2.45"	2.45"	2.45"	2.45"
I Batten Depth	1.11"	1.11"	1.11"	1.11"	1.11"	1.26"	1.26"	1.26"	1.26"	1.26"
J Black Border Sides	50 mm	50 mm	50 mm	50 mm	50 mm	60 mm	60 mm	60 mm	60 mm	60 mm
K Black Border Bottom	50 mm	50 mm	50 mm	50 mm	50 mm	50 mm	50 mm	50 mm	50 mm	50 mm
Standard Drop (10" / 254 mm)	ClearPix Matte White 2W-B	•	•	•	•	•	•	•	•	•
Option ED10	ClearPix Matte White 2W-B	•	•	•	•	•	•	•	•	•
Standard Drop (10" / 254 mm)	ClearPix Pearl Gray 2G-B	•	•	•	•	•	•	•	•	•
Option ED10	ClearPix Pearl Gray 2G-B	•	•	•	•	•	•	•	•	•
Power	Europe 230V 50-60Hz	120 W	120 W	120 W	120 W	120 W	200 W	200 W	200 W	200 W
Power	US 115V 60Hz	100 W	100 W	100 W	100 W	100 W	180 W	180 W	180 W	180 W
Power	Japan 100V 50-60Hz	100 W	100 W	100 W	100 W	100 W	180 W	180 W	180 W	180 W
Net Weight	92.62 lbs	101.36 lbs	105.56 lbs	109.02 lbs	117.72 lbs	162.62 lbs	173.96 lbs	185.37 lbs	196.84 lbs	208.37 lbs
	43 kg	46 kg	48 kg	50 kg	54 kg	74 kg	79 kg	85 kg	90 kg	95 kg
Standard Shipping Length	119.74"	130.89"	136.05"	140.45"	151.55"	167.51"	178.47"	189.48"	200.56"	211.69"
	3042 mm	3325 mm	3456 mm	3568 mm	3850 mm	4255 mm	4533 mm	4813 mm	5095 mm	5377 mm
Standard Shipping Height	11.8"	11.8"	11.8"	11.8"	11.8"	13.57"	13.57"	13.57"	13.57"	13.57"
	300 mm	300 mm	300 mm	300 mm	300 mm	345 mm	345 mm	345 mm	345 mm	345 mm
Standard Shipping Depth	12.39"	12.39"	12.39"	12.39"	12.39"	12.39"	12.39"	12.39"	12.39"	12.39"
	315 mm	315 mm	315 mm	315 mm	315 mm	315 mm	315 mm	315 mm	315 mm	315 mm
Standard Shipping Weight	145.05 lbs	158.29 lbs	164.57 lbs	169.81 lbs	182.99 lbs	238.06 lbs	254.03 lbs	270.09 lbs	286.24 lbs	302.48 lbs
	66 kg	72 kg	75 kg	78 kg	84 kg	108 kg	116 kg	123 kg	130 kg	138 kg

Intermediate screen sizes are available

SCREEN FABRIC	FABRIC REF.	AVAILABLE IN THE FOLLOWING RANGE OF SIZES
ClearPix2 Matte White	2W-B	70" - 160" 1776 mm - 4061 mm
ClearPix2 Pearl Gray	2G-B	70" - 128" 1776 mm - 3249 mm

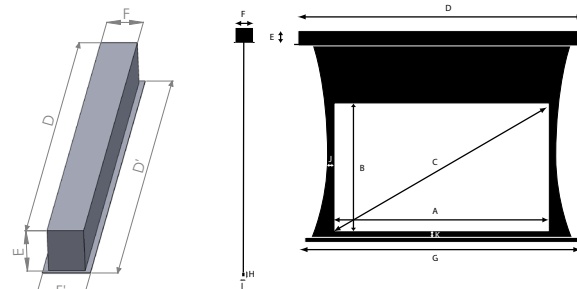
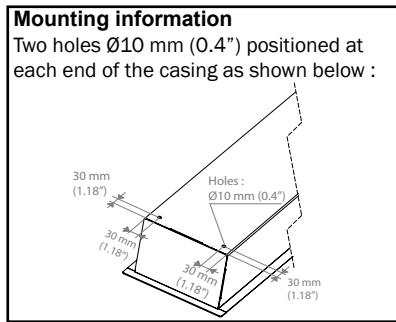
- Recommendation : we suggest to keep a gap of a minimum of 5 mm (0.2"), between the casing and the ceiling clearance.
- Tolerance on screen dimensions: ± 6 mm (± 0.2").
- All quoted weights are approximate (± 5 %). Weights for finished screens will vary depending on options specified.
- Standard 10" (254 mm) screen drop.

No Masking - Slot Opening
1.78:1 Native Image Ratio

SolidPix Fabric

MS2-IS-???-178-S1W
MS2-IS-???-178-SCG

- Achievable Image Ratio: 1.78:1
- New casing and roller assembly design
- ≤ 110": casing size A ; motorized roller Ø3.6" (Ø 91 mm)
- > 110": casing size B ; motorized roller Ø4.8" (Ø 122 mm)
- White casing, black batten standard
- Patented TFX™ Floating Tab-tensioning included as standard for all screen sizes in all fabrics.



Standard native format (1.78:1)

ITEM DESCRIPTION	80	90	96	100	110	120	130	140	150	160
Product Codes	MS2-IS-80-178-	MS2-IS-90-178-	MS2-IS-96-178-	MS2-IS-100-178-	MS2-IS-110-178-	MS2-IS-120-178-	MS2-IS-130-178-	MS2-IS-140-178-	MS2-IS-150-178-	MS2-IS-160-178-
A Native Image Width	80"	90"	96"	100"	110"	120"	130"	140"	150"	160"
	2032 mm	2286 mm	2438 mm	2540 mm	2794 mm	3048 mm	3302 mm	3556 mm	3810 mm	4064 mm
B Native Image Height	45"	50.63"	54"	58.25"	61.88"	67.5"	73.13"	78.75"	84.38"	90"
	1143 mm	1286 mm	1372 mm	1429 mm	1572 mm	1715 mm	1857 mm	2000 mm	2143 mm	2286 mm
C Native Image Diagonal	91.79"	103.26"	110.15"	114.73"	126.21"	137.68"	149.16"	160.63"	172.1"	183.58"
	2331 mm	2623 mm	2798 mm	2914 mm	3206 mm	3497 mm	3789 mm	4080 mm	4371 mm	4663 mm
Casing Model	A	A	A	A	A	B	B	B	B	B
D Casing Width (finishing lips not included)	102.22"	113.37"	118.53"	122.93"	134.03"	146.05"	157.01"	168.03"	179.1"	190.24"
	2597 mm	2880 mm	3011 mm	3123 mm	3405 mm	3710 mm	3988 mm	4268 mm	4550 mm	4832 mm
D' Casing Width (Finishing lips included)	104.19"	115.34"	120.5"	124.9"	136"	148.02"	158.98"	169.99"	181.07"	192.21"
	2647 mm	2930 mm	3061 mm	3173 mm	3455 mm	3760 mm	4038 mm	4318 mm	4600 mm	4882 mm
E Casing Height (finishing lips not included)	7.37"	7.37"	7.37"	7.37"	7.37"	9.14"	9.14"	9.14"	9.14"	9.14"
	187 mm	187 mm	187 mm	187 mm	187 mm	232 mm	232 mm	232 mm	232 mm	232 mm
F Casing Depth (finishing lips not included)	6.3"	6.3"	6.3"	6.3"	6.3"	8.27"	8.27"	8.27"	8.27"	8.27"
	160 mm	160 mm	160 mm	160 mm	160 mm	210 mm	210 mm	210 mm	210 mm	210 mm
F' Overall Casing Depth (finishing lips included)	8.27"	8.27"	8.27"	8.27"	8.27"	10.24"	10.24"	10.24"	10.24"	10.24"
	210 mm	210 mm	210 mm	210 mm	210 mm	260 mm	260 mm	260 mm	260 mm	260 mm
G Batten Length	91.57"	102.29"	108.75"	113.06"	123.9"	136.37"	146.28"	157.16"	168.1"	179.09"
	2326 mm	2598 mm	2763 mm	2872 mm	3147 mm	3464 mm	3716 mm	3992 mm	4270 mm	4549 mm
H Batten Height	1.89"	1.89"	1.89"	1.89"	1.89"	2.45"	2.45"	2.45"	2.45"	2.45"
	48 mm	48 mm	48 mm	48 mm	48 mm	62 mm	62 mm	62 mm	62 mm	62 mm
I Batten Depth	1.11"	1.11"	1.11"	1.11"	1.11"	1.26"	1.26"	1.26"	1.26"	1.26"
	28 mm	28 mm	28 mm	28 mm	28 mm	32 mm	32 mm	32 mm	32 mm	32 mm
J Black Border Sides	1.97"	1.97"	1.97"	1.97"	1.97"	2.37"	2.37"	2.37"	2.37"	2.37"
	50 mm	50 mm	50 mm	50 mm	50 mm	60 mm	60 mm	60 mm	60 mm	60 mm
K Black Border Bottom	1.97"	1.97"	1.97"	1.97"	1.97"	1.97"	1.97"	1.97"	1.97"	1.97"
	50 mm	50 mm	50 mm	50 mm	50 mm	50 mm	50 mm	50 mm	50 mm	50 mm
Standard Drop (10" / 254 mm)	SolidPix Matte White	S1W	•	•	•	•	•	•	•	•
Option ED10	SolidPix Matte White	S1W	•	•	•	•	•	•	•	•
Standard Drop (10" / 254 mm)	GrayPix Ultra-Contrast	SCG	•	•	•	•	•	•	•	•
Option ED10	GrayPix Ultra-Contrast	SCG	•	•	•	•	•	•	•	•
Power	Europe 230V 50-60Hz	120 W	120 W	120 W	120 W	200 W	200 W	200 W	200 W	200 W
Power	US 115V 60Hz	100 W	100 W	100 W	100 W	180 W	180 W	180 W	180 W	180 W
Power	Japan 100V 50-60Hz	100 W	100 W	100 W	100 W	180 W	180 W	180 W	180 W	180 W
Net Weight	81.93 lbs	89.36 lbs	93.41 lbs	96.38 lbs	103.84 lbs	142.94 lbs	152.09 lbs	161.83 lbs	171.62 lbs	181.46 lbs
	38 kg	41 kg	43 kg	44 kg	48 kg	65 kg	69 kg	74 kg	78 kg	83 kg
Standard Shipping Length	119.73"	130.89"	136.05"	140.45"	151.55"	167.51"	178.46"	189.48"	200.55"	211.69"
	3041 mm	3325 mm	3456 mm	3567 mm	3849 mm	4255 mm	4533 mm	4813 mm	5094 mm	5377 mm
Standard Shipping Height	Standard Packaging	11.8"	11.8"	11.8"	11.8"	13.57"	13.57"	13.57"	13.57"	13.57"
	300 mm	300 mm	300 mm	300 mm	300 mm	345 mm	345 mm	345 mm	345 mm	345 mm
	Pallet Packaging	15.73"	15.73"	15.73"	15.73"	17.5"	17.5"	17.5"	17.5"	17.5"
	400 mm	400 mm	400 mm	400 mm	400 mm	445 mm	445 mm	445 mm	445 mm	445 mm
Standard Shipping Depth	12.39"	12.39"	12.39"	12.39"	12.39"	12.39"	12.39"	12.39"	12.39"	12.39"
	315 mm	315 mm	315 mm	315 mm	315 mm	315 mm	315 mm	315 mm	315 mm	315 mm
Standard Shipping Weight	134.35 lbs	146.29 lbs	152.42 lbs	157.17 lbs	169.11 lbs	218.38 lbs	232.16 lbs	246.56 lbs	261.02 lbs	275.57 lbs
	61 kg	67 kg	70 kg	72 kg	77 kg	100 kg	106 kg	112 kg	119 kg	125 kg

Intermediate screen sizes are available

SCREEN FABRIC	FABRIC REF.	AVAILABLE IN THE FOLLOWING RANGE OF SIZES
SolidPix1 White / GrayPix Ultra-contrast	S1W / SCG	70" - 160"
		1776 mm - 4061 mm

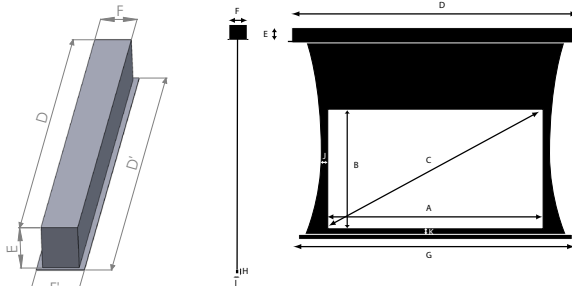
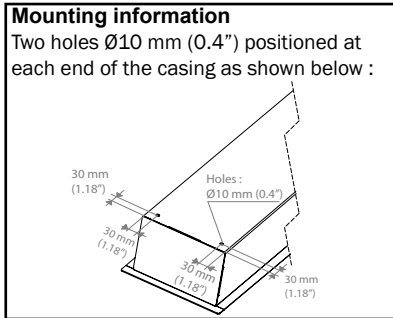
- Recommendation : we suggest to keep a gap of a minimum of 5 mm (0.2"), between the casing and the ceiling clearance.
- Tolerance on screen dimensions: ± 6 mm (± 0.2").
- All quoted weights are approximate (± 5 %). Weights for finished screens will vary depending on options specified.
- Standard 10" (254 mm) screen drop. A seam is required for screens wider than 120", up to a maximum of 160". Seam is positioned in the black drop only.

No Masking - Slot Opening 2.35:1 Native Image Ratio

ClearPix A.T. Fabric

**MS2-IS-???-235-2W-B
MS2-IS-???-235-2G-B**

- Achievable Image Ratio: 2.35:1
- New casing and roller assembly design
- ≤ 110": casing size A ; motorized roller Ø3.6" (Ø 91 mm)
- > 110": casing size B ; motorized roller Ø4.8" (Ø 122 mm)
- White casing, black batten standard
- Patented TFX™ Floating Tab-tensioning included as standard for all screen sizes in all fabrics.
- For projectors with anamorphic technologies



Standard native format (2.35:1)

ITEM DESCRIPTION	80	90	96	100	110	120	130	140	150	160
Product Codes	MS2-IS-80-235-	MS2-IS-90-235-	MS2-IS-96-235-	MS2-IS-100-235-	MS2-IS-110-235-	MS2-IS-120-235-	MS2-IS-130-235-	MS2-IS-140-235-	MS2-IS-150-235-	MS2-IS-160-235-
A Native Image Width	80"	90"	96"	100"	110"	120"	130"	140"	150"	160"
B Native Image Height	2032 mm	2286 mm	2438 mm	2540 mm	2794 mm	3048 mm	3302 mm	3556 mm	3810 mm	4064 mm
C Native Image Diagonal	34.04"	38.3"	40.85"	42.55"	46.81"	51.06"	55.32"	59.57"	63.83"	68.09"
D Casing Width (finishing lips not included)	865 mm	973 mm	1038 mm	1081 mm	1189 mm	1297 mm	1405 mm	1513 mm	1621 mm	1729 mm
D' Casing Width (finishing lips included)	86.94"	97.81"	104.33"	108.68"	119.55"	130.41"	141.28"	152.15"	163.02"	173.88"
E Casing Height (finishing lips not included)	2208 mm	2484 mm	2650 mm	2760 mm	3036 mm	3312 mm	3589 mm	3865 mm	4141 mm	4417 mm
F Casing Depth (finishing lips not included)	A	A	A	A	A	B	B	B	B	B
F' Overall Casing Depth (finishing lips included)	102.22"	113.37"	118.53"	122.93"	134.03"	146.05"	157.01"	168.03"	179.1"	190.24"
G Batten Length	2597 mm	2880 mm	3011 mm	3123 mm	3405 mm	3710 mm	3988 mm	4268 mm	4550 mm	4832 mm
H Batten Height	104.19"	115.34"	120.5"	124.9"	136"	148.02"	158.98"	169.99"	181.07"	192.21"
I Batten Depth	2647 mm	2930 mm	3061 mm	3173 mm	3455 mm	3760 mm	4038 mm	4318 mm	4600 mm	4882 mm
J Black Border Sides	7.37"	7.37"	7.37"	7.37"	7.37"	9.14"	9.14"	9.14"	9.14"	9.14"
K Black Border Bottom	187 mm	187 mm	187 mm	187 mm	187 mm	232 mm	232 mm	232 mm	232 mm	232 mm
Option ED10	6.3"	6.3"	6.3"	6.3"	6.3"	8.27"	8.27"	8.27"	8.27"	8.27"
Power	160 mm	160 mm	160 mm	160 mm	160 mm	210 mm	210 mm	210 mm	210 mm	210 mm
Standard Drop (20" / 508 mm)	8.27"	8.27"	8.27"	8.27"	8.27"	10.24"	10.24"	10.24"	10.24"	10.24"
Option ED10	210 mm	210 mm	210 mm	210 mm	210 mm	260 mm	260 mm	260 mm	260 mm	260 mm
Power	93.06"	103.81"	109.13"	113.4"	124.1"	135.35"	146.02"	156.72"	167.45"	178.22"
Standard Drop (20" / 508 mm)	2364 mm	2637 mm	2772 mm	2881 mm	3152 mm	3438 mm	3709 mm	3981 mm	4254 mm	4527 mm
Option ED10	1.89"	1.89"	1.89"	1.89"	1.89"	2.45"	2.45"	2.45"	2.45"	2.45"
Power	48 mm	48 mm	48 mm	48 mm	48 mm	62 mm	62 mm	62 mm	62 mm	62 mm
Standard Drop (20" / 508 mm)	1.11"	1.11"	1.11"	1.11"	1.11"	1.26"	1.26"	1.26"	1.26"	1.26"
Option ED10	28 mm	28 mm	28 mm	28 mm	28 mm	32 mm	32 mm	32 mm	32 mm	32 mm
Power	1.97"	1.97"	1.97"	1.97"	1.97"	2.37"	2.37"	2.37"	2.37"	2.37"
Standard Drop (20" / 508 mm)	50 mm	50 mm	50 mm	50 mm	50 mm	60 mm	60 mm	60 mm	60 mm	60 mm
Option ED10	1.97"	1.97"	1.97"	1.97"	1.97"	1.97"	1.97"	1.97"	1.97"	1.97"
Power	50 mm	50 mm	50 mm	50 mm	50 mm	50 mm	50 mm	50 mm	50 mm	50 mm
Standard Drop (20" / 508 mm)	•	•	•	•	•	•	•	•	•	•
Option ED10	•	•	•	•	•	•	•	•	•	•
Power	Europe 230V 50-60Hz	120 W	120 W	120 W	120 W	120 W	200 W	200 W	200 W	200 W
Power	US 115V 60Hz	100 W	100 W	100 W	100 W	100 W	180 W	180 W	180 W	180 W
Power	Japan 100V 50-60Hz	100 W	100 W	100 W	100 W	100 W	180 W	180 W	180 W	180 W
Net Weight	92.54 lbs	101.14 lbs	105.3 lbs	108.71 lbs	117.27 lbs	161.88 lbs	173.01 lbs	184.18 lbs	195.4 lbs	206.67 lbs
Standard Shipping Length	42 kg	46 kg	48 kg	50 kg	54 kg	74 kg	79 kg	84 kg	89 kg	94 kg
Standard Shipping Height	119.73"	130.89"	136.05"	140.45"	151.55"	167.51"	178.46"	189.48"	200.55"	211.69"
Standard Shipping Depth	3041 mm	3325 mm	3456 mm	3567 mm	3849 mm	4255 mm	4533 mm	4813 mm	5094 mm	5377 mm
Standard Shipping Weight	11.8"	11.8"	11.8"	11.8"	11.8"	13.57"	13.57"	13.57"	13.57"	13.57"
Standard Shipping Weight	300 mm	300 mm	300 mm	300 mm	300 mm	345 mm	345 mm	345 mm	345 mm	345 mm
Standard Shipping Weight	15.73"	15.73"	15.73"	15.73"	15.73"	17.5"	17.5"	17.5"	17.5"	17.5"
Standard Shipping Weight	400 mm	400 mm	400 mm	400 mm	400 mm	445 mm	445 mm	445 mm	445 mm	445 mm
Standard Shipping Weight	12.39"	12.39"	12.39"	12.39"	12.39"	12.39"	12.39"	12.39"	12.39"	12.39"
Standard Shipping Weight	315 mm	315 mm	315 mm	315 mm	315 mm	315 mm	315 mm	315 mm	315 mm	315 mm
Standard Shipping Weight	144.96 lbs	158.07 lbs	164.31 lbs	169.5 lbs	182.54 lbs	237.32 lbs	253.08 lbs	268.91 lbs	284.81 lbs	300.78 lbs
Standard Shipping Weight	66 kg	72 kg	75 kg	77 kg	83 kg	108 kg	115 kg	122 kg	130 kg	137 kg

Intermediate screen sizes are available

SCREEN FABRIC	FABRIC REF.	AVAILABLE IN THE FOLLOWING RANGE OF SIZES
ClearPix2 Matte White	2W-B	70" - 160" 1776 mm - 4061 mm
ClearPix2 Pearl Gray	2G-B	70" - 140" 1776 mm - 3553 mm

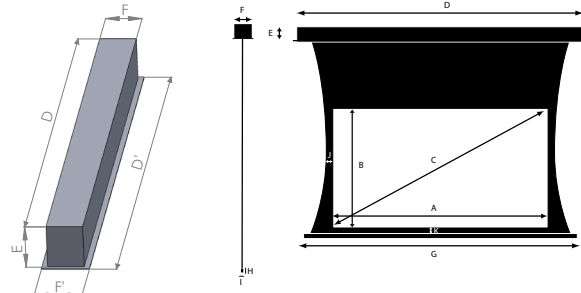
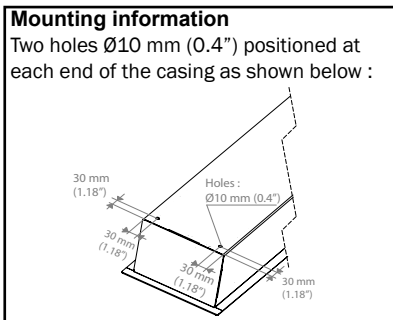
- Recommendation : we suggest to keep a gap of a minimum of 5 mm (0.2"), between the casing and the ceiling clearance.
- Tolerance on screen dimensions: ± 6 mm (± 0.2").
- All quoted weights are approximate (± 5 %). Weights for finished screens will vary depending on options specified.
- Standard 20" (508 mm) screen drop.

No Masking - Slot Opening 2.35:1 Native Image Ratio

SolidPix Fabric

MS2-IS-???-235-S1W MS2-IS-???-235-SCG

- Achievable Image Ratio: 2.35:1
- New casing and roller assembly design
- ≤ 110": casing size A ; motorized roller Ø3.6" (Ø 91 mm)
- > 110": casing size B ; motorized roller Ø4.8" (Ø 122 mm)
- White casing, black batten standard
- Patented TFX™ Floating Tab-tensioning included as standard for all screen sizes in all fabrics.
- For projectors with anamorphic technologies



Standard native format (2.35:1)

ITEM	DESCRIPTION	80	90	96	100	110	120	130	140	150	160
Product Codes		MS2-IS-80-235-	MS2-IS-90-235-	MS2-IS-96-235-	MS2-IS-100-235-	MS2-IS-110-235-	MS2-IS-120-235-	MS2-IS-130-235-	MS2-IS-140-235-	MS2-IS-150-235-	MS2-IS-160-235-
A	Native Image Width	80"	90"	96"	100"	110"	120"	130"	140"	150"	160"
B	Native Image Height	34.04"	38.3"	40.85"	42.55"	46.81"	51.06"	55.32"	59.57"	63.83"	68.09"
C	Native Image Diagonal	86.94"	97.81"	104.33"	108.68"	119.55"	130.41"	141.28"	152.15"	163.02"	173.88"
Casing Model		A	A	A	A	A	B	B	B	B	B
D	Casing Width (finishing lips not included)	102.22"	113.37"	118.53"	122.93"	134.03"	146.05"	157.01"	168.03"	179.1"	190.24"
D'	Casing Width (finishing lips included)	2597 mm	2880 mm	3011 mm	3123 mm	3405 mm	3710 mm	3988 mm	4268 mm	4550 mm	4832 mm
E	Casing Height (finishing lips not included)	187 mm	187 mm	187 mm	187 mm	187 mm	232 mm	232 mm	232 mm	232 mm	232 mm
F	Casing Depth (finishing lips not included)	6.3"	6.3"	6.3"	6.3"	6.3"	8.27"	8.27"	8.27"	8.27"	8.27"
F'	Overall Casing Depth (finishing lips included)	8.27"	8.27"	8.27"	8.27"	8.27"	10.24"	10.24"	10.24"	10.24"	10.24"
G	Batten Length	91.45"	101.98"	108.32"	112.55"	123.14"	135.35"	145.14"	155.75"	166.39"	177.06"
H	Batten Height	2323 mm	2591 mm	2752 mm	2859 mm	3128 mm	3438 mm	3687 mm	3956 mm	4227 mm	4498 mm
I	Batten Depth	1.89"	1.89"	1.89"	1.89"	1.89"	2.45"	2.45"	2.45"	2.45"	2.45"
J	Black Border Sides	48 mm	48 mm	48 mm	48 mm	48 mm	62 mm	62 mm	62 mm	62 mm	62 mm
K	Black Border Bottom	1.11"	1.11"	1.11"	1.11"	1.11"	1.26"	1.26"	1.26"	1.26"	1.26"
Standard Drop (20" / 508 mm)		28 mm	28 mm	28 mm	28 mm	28 mm	32 mm	32 mm	32 mm	32 mm	32 mm
Option ED10		1.97"	1.97"	1.97"	1.97"	1.97"	2.37"	2.37"	2.37"	2.37"	2.37"
Standard Drop (20" / 508 mm)		50 mm	50 mm	50 mm	50 mm	50 mm	60 mm	60 mm	60 mm	60 mm	60 mm
Option ED10		1.97"	1.97"	1.97"	1.97"	1.97"	1.97"	1.97"	1.97"	1.97"	1.97"
Power Europe 230V 50-60Hz		50 mm	50 mm	50 mm	50 mm	50 mm	50 mm	50 mm	50 mm	50 mm	50 mm
Power US 115V 60Hz		120 W	120 W	120 W	120 W	120 W	200 W	200 W	200 W	200 W	200 W
Power Japan 100V 50-60Hz		100 W	100 W	100 W	100 W	100 W	180 W	180 W	180 W	180 W	180 W
Net Weight		81.88 lbs	89.24 lbs	93.23 lbs	96.17 lbs	103.53 lbs	142.34 lbs	151.42 lbs	161 lbs	170.62 lbs	180.27 lbs
Standard Shipping Length		38 kg	41 kg	43 kg	44 kg	47 kg	65 kg	69 kg	74 kg	78 kg	82 kg
Standard Shipping Height		119.73"	130.89"	136.05"	140.45"	151.55"	167.51"	178.46"	189.48"	200.55"	211.69"
Standard Shipping Depth		3041 mm	3325 mm	3456 mm	3567 mm	3849 mm	4255 mm	4533 mm	4813 mm	5094 mm	5377 mm
Standard Shipping Weight		11.8"	11.8"	11.8"	11.8"	11.8"	13.57"	13.57"	13.57"	13.57"	13.57"
Standard Shipping Height		300 mm	300 mm	300 mm	300 mm	300 mm	345 mm	345 mm	345 mm	345 mm	345 mm
Standard Shipping Depth		15.73"	15.73"	15.73"	15.73"	15.73"	17.5"	17.5"	17.5"	17.5"	17.5"
Standard Shipping Weight		400 mm	400 mm	400 mm	400 mm	400 mm	445 mm	445 mm	445 mm	445 mm	445 mm
Standard Shipping Weight		12.39"	12.39"	12.39"	12.39"	12.39"	12.39"	12.39"	12.39"	12.39"	12.39"
Standard Shipping Weight		315 mm	315 mm	315 mm	315 mm	315 mm	315 mm	315 mm	315 mm	315 mm	315 mm
Standard Shipping Weight		134.3 lbs	146.17 lbs	152.24 lbs	156.96 lbs	168.81 lbs	217.79 lbs	231.5 lbs	245.73 lbs	260.02 lbs	274.38 lbs
Standard Shipping Weight		61 kg	67 kg	70 kg	72 kg	77 kg	99 kg	106 kg	112 kg	118 kg	125 kg

Intermediate screen sizes are available

SCREEN FABRIC	FABRIC REF.	AVAILABLE IN THE FOLLOWING RANGE OF SIZES
SolidPix1 Matte White / GrayPix Ultra-contrast	S1W / SCG	70" - 160" 1776 mm - 4061 mm

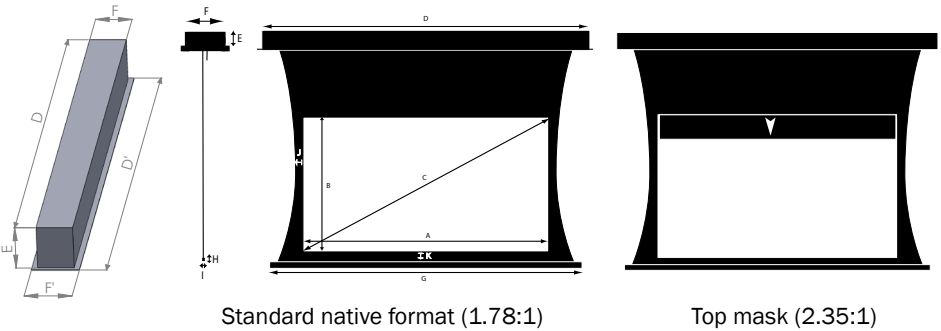
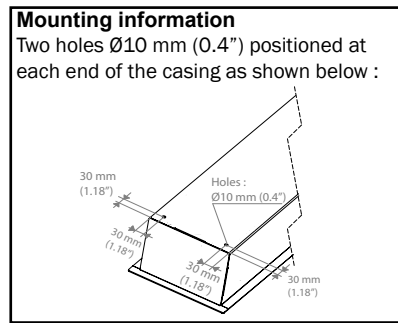
- Recommendation : we suggest to keep a gap of a minimum of 5 mm (0.2"), between the casing and the ceiling clearance.
- Tolerance on screen dimensions: ± 6 mm (± 0.2").
- All quoted weights are approximate (± 5 %). Weights for finished screens will vary depending on options specified.
- Standard 20" (508 mm) screen drop. A seam is required for screens wider than 120", up to a maximum of 160". Seam is positioned in the black drop only.

Top Masking - Scope - Slot Opening 1.78:1 Native Image Ratio

ClearPix A.T. Fabric

**MMS2-T-IS-???-178-2W-B
MMS2-T-IS-???-178-2G-B**

- Achievable Image Ratios: 1.78:1 to 2.76:1
- New casing and roller assembly design
- ≤ 110": casing size A ; motorized roller Ø3.6" (Ø 91 mm)
- > 110": casing size B ; motorized roller Ø4.8" (Ø 122 mm)
- Precision masking system with THX-certified acoustically transparent masks
- 2 independent motors
- White casing, black batten standard
- Patented TFX™ Floating Tab-tensioning included as standard for all screen sizes in all fabrics



ITEM DESCRIPTION	80	90	96	100	110	120	130	140	150	160
Product Codes										
A Native Image Width	2032 mm	2286 mm	2438 mm	2540 mm	2794 mm	3048 mm	3302 mm	3556 mm	3810 mm	4064 mm
B Native Image Height	45"	50.63"	54"	56.25"	61.88"	67.5"	73.13"	78.75"	84.38"	90"
C Native Image Diagonal	2331 mm	2623 mm	2798 mm	2914 mm	3206 mm	3497 mm	3789 mm	4080 mm	4371 mm	4663 mm
Casing Model	A	A	A	A	A	B	B	B	B	B
D Casing Width (finishing lips not included)	102.22"	113.37"	118.53"	122.93"	134.03"	146.05"	157.01"	168.03"	179.1"	190.24"
D' Casing Width (finishing lips included)	104.19"	115.34"	120.5"	124.9"	136"	148.02"	158.98"	169.99"	181.07"	192.21"
E Casing Height (finishing lips not included)	7.37"	7.37"	7.37"	7.37"	7.37"	9.14"	9.14"	9.14"	9.14"	9.14"
F Casing Depth (finishing lips not included)	10.48"	10.48"	10.48"	10.48"	10.48"	13.23"	13.23"	13.23"	13.23"	13.23"
F' Overall Casing Depth (finishing lips included)	12.45"	12.45"	12.45"	12.45"	12.45"	15.2"	15.2"	15.2"	15.2"	15.2"
G Batten Length	2368 mm	2648 mm	2785 mm	2896 mm	3175 mm	3464 mm	3742 mm	4022 mm	4304 mm	4586 mm
H Batten Height	1.89"	1.89"	1.89"	1.89"	1.89"	2.45"	2.45"	2.45"	2.45"	2.45"
I Batten Depth	1.11"	1.11"	1.11"	1.11"	1.11"	1.26"	1.26"	1.26"	1.26"	1.26"
J Black Border Sides	50 mm	50 mm	50 mm	50 mm	50 mm	60 mm	60 mm	60 mm	60 mm	60 mm
K Black Border Bottom	50 mm	50 mm	50 mm	50 mm	50 mm	50 mm	50 mm	50 mm	50 mm	50 mm
Standard Drop (10" / 254 mm)	ClearPix Matte White 2W-B	•	•	•	•	•	•	•	•	•
Option ED10	ClearPix Matte White 2W-B	•	•	•	•	•	•	•	•	•
Standard Drop (10" / 254 mm)	ClearPix Pearl Gray 2G-B	•	•	•	•	•	•	•	•	•
Option ED10	ClearPix Pearl Gray 2G-B	•	•	•	•	•	•	•	•	•
Power	Europe 230V 50-60Hz	240 W	240 W	240 W	240 W	400 W	400 W	400 W	400 W	400 W
Power	US 115V 60Hz	200 W	200 W	200 W	200 W	360 W	360 W	360 W	360 W	360 W
Power	Japan 100V 50-60Hz	160 W	160 W	160 W	160 W	360 W	360 W	360 W	360 W	360 W
Net Weight	131.38 lbs	143.61 lbs	149.62 lbs	154.47 lbs	166.66 lbs	229.76 lbs	245.71 lbs	261.75 lbs	277.87 lbs	294.07 lbs
Standard Shipping Length	3041 mm	3325 mm	3456 mm	3567 mm	3849 mm	4255 mm	4533 mm	4813 mm	5094 mm	5377 mm
Standard Shipping Height	Standard Packaging	11.39"	11.39"	11.39"	11.39"	14.32"	14.32"	14.32"	14.32"	14.32"
	Pallet Packaging	289 mm	289 mm	289 mm	289 mm	364 mm	364 mm	364 mm	364 mm	364 mm
Standard Shipping Depth	15.33"	15.33"	15.33"	15.33"	15.33"	18.26"	18.26"	18.26"	18.26"	18.26"
	389 mm	389 mm	389 mm	389 mm	389 mm	464 mm	464 mm	464 mm	464 mm	464 mm
Standard Shipping Weight	188.57 lbs	205.52 lbs	213.71 lbs	220.42 lbs	237.31 lbs	349.17 lbs	372.46 lbs	395.88 lbs	419.42 lbs	443.08 lbs
	86 kg	94 kg	97 kg	100 kg	108 kg	159 kg	169 kg	180 kg	191 kg	201 kg

Intermediate screen sizes are available

SCREEN FABRIC	FABRIC REF.	AVAILABLE IN THE FOLLOWING RANGE OF SIZES
ClearPix2 Matte White	2W-B	70" - 160" 1776 mm - 4061 mm
ClearPix2 Pearl Gray	2G-B	70" - 128" 1776 mm - 3249 mm

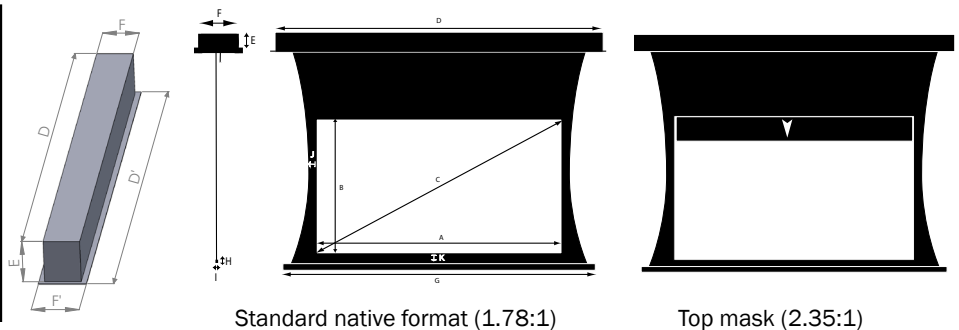
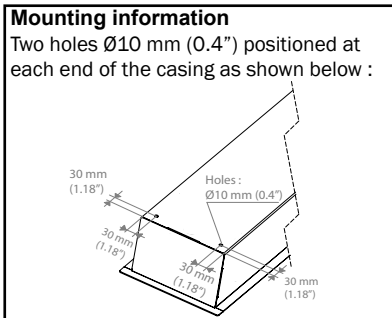
- Recommendation : we suggest to keep a gap of a minimum of 5 mm (0.2"), between the casing and the ceiling clearance.
- Tolerance on screen dimensions: ± 6 mm (± 0.2").
- All quoted weights are approximate (± 5 %). Weights for finished screens will vary depending on options specified.
- Standard 10" (254 mm) screen drop.

Top Masking - Scope - Slot Opening 1.78:1 Native Image Ratio

- Achievable Image Ratios: 1.78:1 to 2.76:1
- New casing and roller assembly design
- ≤ 110": casing size A ; motorized roller Ø3.6" (Ø 91 mm)
- > 110": casing size B ; motorized roller Ø4.8" (Ø 122 mm)
- Precision masking system
- 2 independent motors
- White casing, black batten standard
- Patented TFX™ Floating Tab-tensioning included as standard for all screen sizes in all fabrics

SolidPix Fabric

MMS2-T-IS-???-178-S1W
MMS2-T-IS-???-178-SCG



ITEM DESCRIPTION	80	90	96	100	110	120	130	140	150	160
Product Codes	MMS2-T-IS-80-178-	MMS2-T-IS-90-178-	MMS2-T-IS-96-178-	MMS2-T-IS-100-178-	MMS2-T-IS-110-178-	MMS2-T-IS-120-178-	MMS2-T-IS-130-178-	MMS2-T-IS-140-178-	MMS2-T-IS-150-178-	MMS2-T-IS-160-178-
A Native Image Width	80"	90"	96"	100"	110"	120"	130"	140"	150"	160"
	2032 mm	2286 mm	2438 mm	2540 mm	2794 mm	3048 mm	3302 mm	3556 mm	3810 mm	4064 mm
B Native Image Height	45"	50.63"	54"	56.25"	61.88"	67.5"	73.13"	78.75"	84.38"	90"
	1143 mm	1286 mm	1372 mm	1429 mm	1572 mm	1715 mm	1857 mm	2000 mm	2143 mm	2286 mm
C Native Image Diagonal	91.79"	103.26"	110.15"	114.73"	126.21"	137.68"	149.16"	160.63"	172.1"	183.58"
	2331 mm	2623 mm	2798 mm	2914 mm	3206 mm	3497 mm	3789 mm	4080 mm	4371 mm	4663 mm
Casing Model	A	A	A	A	A	B	B	B	B	B
D Casing Width (finishing lips not included)	102.22"	113.37"	118.53"	122.93"	134.03"	146.05"	157.01"	168.03"	179.1"	190.24"
	2597 mm	2880 mm	3011 mm	3123 mm	3405 mm	3710 mm	3988 mm	4268 mm	4550 mm	4832 mm
D' Casing Width (finishing lips included)	104.19"	115.34"	120.5"	124.9"	136"	148.02"	158.98"	169.99"	181.07"	192.21"
	2647 mm	2930 mm	3061 mm	3173 mm	3455 mm	3760 mm	4038 mm	4318 mm	4600 mm	4882 mm
E Casing Height (finishing lips not included)	7.37"	7.37"	7.37"	7.37"	7.37"	9.14"	9.14"	9.14"	9.14"	9.14"
	187 mm	187 mm	187 mm	187 mm	187 mm	232 mm	232 mm	232 mm	232 mm	232 mm
F Casing Depth (finishing lips not included)	10.48"	10.48"	10.48"	10.48"	10.48"	13.23"	13.23"	13.23"	13.23"	13.23"
	266 mm	266 mm	266 mm	266 mm	266 mm	336 mm	336 mm	336 mm	336 mm	336 mm
F' Overall Casing Depth (finishing lips included)	12.45"	12.45"	12.45"	12.45"	12.45"	15.2"	15.2"	15.2"	15.2"	15.2"
	316 mm	316 mm	316 mm	316 mm	316 mm	386 mm	386 mm	386 mm	386 mm	386 mm
G Batten Length	91.57"	102.29"	108.75"	113.06"	123.9"	136.37"	146.28"	157.16"	168.1"	179.09"
	2326 mm	2598 mm	2763 mm	2872 mm	3147 mm	3464 mm	3716 mm	3992 mm	4270 mm	4549 mm
H Batten Height	1.89"	1.89"	1.89"	1.89"	1.89"	2.45"	2.45"	2.45"	2.45"	2.45"
	48 mm	48 mm	48 mm	48 mm	48 mm	62 mm	62 mm	62 mm	62 mm	62 mm
I Batten Depth	1.11"	1.11"	1.11"	1.11"	1.11"	1.26"	1.26"	1.26"	1.26"	1.26"
	28 mm	28 mm	28 mm	28 mm	28 mm	32 mm	32 mm	32 mm	32 mm	32 mm
J Black Border Sides	1.97"	1.97"	1.97"	1.97"	1.97"	2.37"	2.37"	2.37"	2.37"	2.37"
	50 mm	50 mm	50 mm	50 mm	50 mm	60 mm	60 mm	60 mm	60 mm	60 mm
K Black Border Bottom	1.97"	1.97"	1.97"	1.97"	1.97"	1.97"	1.97"	1.97"	1.97"	1.97"
	50 mm	50 mm	50 mm	50 mm	50 mm	50 mm	50 mm	50 mm	50 mm	50 mm
Standard Drop (10" / 254 mm)	SolidPix Matte White S1W	•	•	•	•	•	•	•	•	•
Option ED10	SolidPix Matte White S1W	•	•	•	•	•	•	•	•	•
Standard Drop (10" / 254 mm)	GrayPix Ultra-Contrast SCG	•	•	•	•	•	•	•	•	•
Option ED10	GrayPix Ultra-Contrast SCG	•	•	•	•	•	•	•	•	•
Power	Europe 230V 50-60Hz	240 W	240 W	240 W	240 W	400 W	400 W	400 W	400 W	400 W
Power	US 115V 60Hz	200 W	200 W	200 W	200 W	360 W	360 W	360 W	360 W	360 W
Power	Japan 100V 50-60Hz	160 W	160 W	160 W	160 W	360 W	360 W	360 W	360 W	360 W
Net Weight	120.43 lbs	131.31 lbs	137.33 lbs	141.68 lbs	152.61 lbs	210.08 lbs	223.59 lbs	237.92 lbs	252.33 lbs	266.8 lbs
	55 kg	60 kg	63 kg	65 kg	70 kg	96 kg	102 kg	108 kg	115 kg	122 kg
Standard Shipping Length	119.73"	130.89"	136.05"	140.45"	151.55"	167.51"	178.46"	189.48"	200.55"	211.69"
	3041 mm	3325 mm	3456 mm	3567 mm	3849 mm	4255 mm	4533 mm	4813 mm	5094 mm	5377 mm
Standard Shipping Height	Standard Packaging	11.39"	11.39"	11.39"	11.39"	11.39"	14.32"	14.32"	14.32"	14.32"
	289 mm	289 mm	289 mm	289 mm	289 mm	364 mm	364 mm	364 mm	364 mm	364 mm
	Pallet Packaging	15.33"	15.33"	15.33"	15.33"	15.33"	18.26"	18.26"	18.26"	18.26"
	389 mm	389 mm	389 mm	389 mm	389 mm	464 mm	464 mm	464 mm	464 mm	464 mm
Standard Shipping Depth	15.37"	15.37"	15.37"	15.37"	15.37"	18.81"	18.81"	18.81"	18.81"	18.81"
	390 mm	390 mm	390 mm	390 mm	390 mm	478 mm	478 mm	478 mm	478 mm	478 mm
Standard Shipping Weight	177.62 lbs	193.22 lbs	201.42 lbs	207.64 lbs	223.26 lbs	329.49 lbs	350.33 lbs	372.05 lbs	393.88 lbs	415.81 lbs
	81 kg	88 kg	92 kg	95 kg	102 kg	150 kg	159 kg	169 kg	179 kg	189 kg

Intermediate screen sizes are available

SCREEN FABRIC	FABRIC REF.	AVAILABLE IN THE FOLLOWING RANGE OF SIZES
SolidPix1 White / GrayPix Ultra-contrast	S1W / SCG	70" - 160" 1776 mm - 4061 mm

- Recommendation : we suggest to keep a gap of a minimum of 5 mm (0.2"), between the casing and the ceiling clearance.
- Tolerance on screen dimensions: ± 6 mm (± 0.2").
- All quoted weights are approximate (± 5 %). Weights for finished screens will vary depending on options specified.
- Standard 10" (254 mm) screen drop. A seam is required for screens wider than 120", up to a maximum of 160". Seam is positioned in the black drop only.

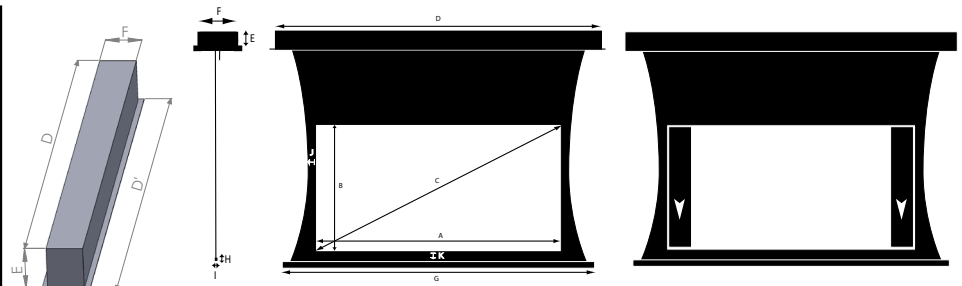
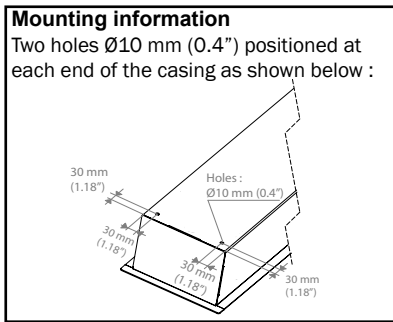
Side Masking - Cinescope - Slot Opening

2.35:1 Native Image Ratio

ClearPix A.T. Fabric

- Achievable Image Ratios: 1.78:1 and 2.35:1
- ≤ 110": casing size A ; motorized roller Ø3.6" (Ø 91 mm)
- > 110": casing size B ; motorized roller Ø4.8" (Ø 122 mm)
- Patented TFX™ Floating Tab-tensioning included as standard for all screen sizes in all fabrics
- Precision masking system with THX-certified acoustically transparent masks
- 2 independent motors
- White casing, black batten standard
- For projectors with anamorphic technologies

MMS2-L1-IS-???-235-2W-B
MMS2-L1-IS-???-235-2G-B



Standard native format (2.35:1)

Lateral mask (1.78:1)

ITEM DESCRIPTION	80	90	96	100	110	120	130	140	150	160
Product Codes										
	MMS2-L1-IS-80-235-	MMS2-L1-IS-90-235-	MMS2-L1-IS-96-235-	MMS2-L1-IS-100-235-	MMS2-L1-IS-110-235-	MMS2-L1-IS-120-235-	MMS2-L1-IS-130-235-	MMS2-L1-IS-140-235-	MMS2-L1-IS-150-235-	MMS2-L1-IS-160-235-
A Native Image Width	80"	90"	96"	100"	110"	120"	130"	140"	150"	160"
	2032 mm	2286 mm	2438 mm	2540 mm	2794 mm	3048 mm	3302 mm	3556 mm	3810 mm	4064 mm
B Native Image Height	34.04"	38.3"	40.85"	42.55"	46.81"	51.06"	55.32"	59.57"	63.83"	68.09"
	865 mm	973 mm	1038 mm	1081 mm	1189 mm	1297 mm	1405 mm	1513 mm	1621 mm	1729 mm
C Native Image Diagonal	86.94"	97.81"	104.33"	108.68"	119.55"	130.41"	141.28"	152.15"	163.02"	173.88"
	2208 mm	2484 mm	2650 mm	2760 mm	3036 mm	3312 mm	3589 mm	3865 mm	4141 mm	4417 mm
Casing Model										
	A	A	A	A	A	B	B	B	B	B
D Casing Width (finishing lips not included)	102.22"	113.37"	118.53"	122.93"	134.03"	146.05"	157.01"	168.03"	179.1"	190.24"
	2597 mm	2880 mm	3011 mm	3123 mm	3405 mm	3710 mm	3988 mm	4268 mm	4550 mm	4832 mm
D' Casing Width (finishing lips included)	104.19"	115.34"	120.5"	124.9"	136"	148.02"	158.98"	169.99"	181.07"	192.21"
	2647 mm	2930 mm	3061 mm	3173 mm	3455 mm	3760 mm	4038 mm	4318 mm	4600 mm	4882 mm
E Casing Height (finishing lips not included)	7.37"	7.37"	7.37"	7.37"	7.37"	9.14"	9.14"	9.14"	9.14"	9.14"
	187 mm	187 mm	187 mm	187 mm	187 mm	232 mm	232 mm	232 mm	232 mm	232 mm
F Casing Depth (finishing lips not included)	10.48"	10.48"	10.48"	10.48"	10.48"	13.23"	13.23"	13.23"	13.23"	13.23"
	266 mm	266 mm	266 mm	266 mm	266 mm	336 mm	336 mm	336 mm	336 mm	336 mm
F' Overall Casing Depth (finishing lips included)	12.45"	12.45"	12.45"	12.45"	12.45"	15.2"	15.2"	15.2"	15.2"	15.2"
	316 mm	316 mm	316 mm	316 mm	316 mm	386 mm	386 mm	386 mm	386 mm	386 mm
G Batten Length	93.06"	103.81"	109.13"	113.4"	124.1"	135.35"	146.02"	156.72"	167.45"	178.22"
	2364 mm	2637 mm	2772 mm	2881 mm	3152 mm	3438 mm	3709 mm	3981 mm	4254 mm	4527 mm
H Batten Height	1.89"	1.89"	1.89"	1.89"	1.89"	2.45"	2.45"	2.45"	2.45"	2.45"
	48 mm	48 mm	48 mm	48 mm	48 mm	62 mm	62 mm	62 mm	62 mm	62 mm
I Batten Depth	1.11"	1.11"	1.11"	1.11"	1.11"	1.26"	1.26"	1.26"	1.26"	1.26"
	28 mm	28 mm	28 mm	28 mm	28 mm	32 mm	32 mm	32 mm	32 mm	32 mm
J Black Border Sides	1.97"	1.97"	1.97"	1.97"	1.97"	2.37"	2.37"	2.37"	2.37"	2.37"
	50 mm	50 mm	50 mm	50 mm	50 mm	60 mm	60 mm	60 mm	60 mm	60 mm
K Black Border Bottom	1.97"	1.97"	1.97"	1.97"	1.97"	1.97"	1.97"	1.97"	1.97"	1.97"
	50 mm	50 mm	50 mm	50 mm	50 mm	50 mm	50 mm	50 mm	50 mm	50 mm
Standard Drop (20" / 508 mm)	ClearPix Matte White	2W-B	•	•	•	•	•	•	•	•
Option ED10	ClearPix Matte White	2W-B	•	•	•	•	•	•	•	•
Standard Drop (20" / 508 mm)	ClearPix Pearl Gray	2G-B	•	•	•	•	•	•	•	•
Option ED10	ClearPix Pearl Gray	2G-B	•	•	•	•	•	•	•	•
Power	Europe 230V 50-60Hz	240 W	240 W	240 W	240 W	240 W	400 W	400 W	400 W	400 W
Power	US 115V 60Hz	200 W	200 W	200 W	200 W	200 W	360 W	360 W	360 W	360 W
Power	Japan 100V 50-60Hz	160 W	160 W	160 W	160 W	160 W	360 W	360 W	360 W	360 W
Net Weight	131.27 lbs	143.33 lbs	149.28 lbs	154.06 lbs	166.07 lbs	228.77 lbs	244.44 lbs	260.17 lbs	275.95 lbs	291.8 lbs
	60 kg	66 kg	68 kg	70 kg	76 kg	104 kg	111 kg	119 kg	126 kg	133 kg
Standard Shipping Length	119.73"	130.89"	136.05"	140.45"	151.55"	167.51"	178.46"	189.48"	200.55"	211.69"
	3041 mm	3325 mm	3456 mm	3567 mm	3849 mm	4255 mm	4533 mm	4813 mm	5094 mm	5377 mm
Standard Shipping Height	11.39"	11.39"	11.39"	11.39"	11.39"	14.32"	14.32"	14.32"	14.32"	14.32"
	289 mm	289 mm	289 mm	289 mm	289 mm	364 mm	364 mm	364 mm	364 mm	364 mm
	15.33"	15.33"	15.33"	15.33"	15.33"	18.26"	18.26"	18.26"	18.26"	18.26"
	389 mm	389 mm	389 mm	389 mm	389 mm	464 mm	464 mm	464 mm	464 mm	464 mm
Standard Shipping Depth	15.37"	15.37"	15.37"	15.37"	15.37"	18.81"	18.81"	18.81"	18.81"	18.81"
	390 mm	390 mm	390 mm	390 mm	390 mm	478 mm	478 mm	478 mm	478 mm	478 mm
Standard Shipping Weight	188.46 lbs	205.24 lbs	213.37 lbs	220.02 lbs	236.72 lbs	348.17 lbs	371.19 lbs	394.3 lbs	417.5 lbs	440.81 lbs
	86 kg	94 kg	97 kg	100 kg	108 kg	158 kg	169 kg	179 kg	190 kg	200 kg

Intermediate screen sizes are available

SCREEN FABRIC	FABRIC REF.	AVAILABLE IN THE FOLLOWING RANGE OF SIZES
ClearPix2 Matte White	2W-B	70" - 160" 1776 mm - 4061 mm
ClearPix2 Pearl Gray	2G-B	70" - 140" 1776 mm - 3553 mm

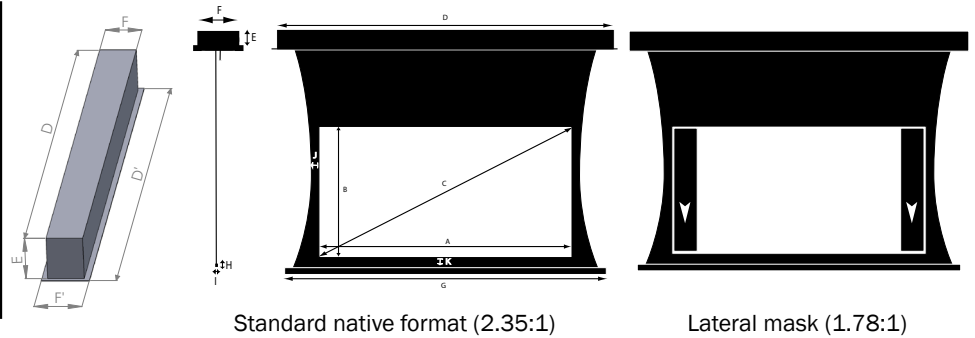
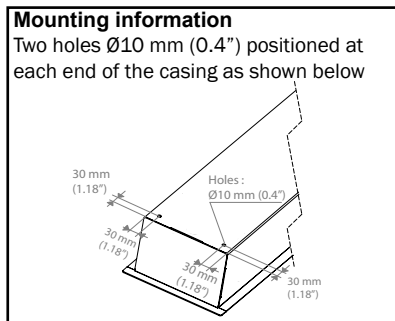
- Recommendation : we suggest to keep a gap of a minimum of 5 mm (0.2"), between the casing and the ceiling clearance.
- Tolerance on screen dimensions: ± 6 mm (± 0.2").
- All quoted weights are approximate (± 5 %). Weights for finished screens will vary depending on options specified.
- Standard 20" (508 mm) screen drop.

- Achievable Image Ratios: 1.78:1 to 2.35:1
- ≤ 110": casing size A ; motorized roller Ø3.6" (Ø 91 mm)
- > 110": casing size B ; motorized roller Ø4.8" (Ø 122 mm)
- Patented TFX™ Floating Tab-tensioning included as standard for all screen sizes in all fabrics
- Precision masking system
- 2 independent motors
- White casing, black batten standard
- For projectors with anamorphic technologies

Side Masking - Cinescope - Slot Opening 2.35:1 Native Image Ratio

SolidPix Fabric

MMS2-L1-IS-???-235-S1W
MMS2-L1-IS-???-235-SCG



ITEM DESCRIPTION	80	90	96	100	110	120	130	140	150	160
Product Codes	MMS2-L1-IS-80-235-	MMS2-L1-IS-90-235-	MMS2-L1-IS-96-235-	MMS2-L1-IS-100-235-	MMS2-L1-IS-110-235-	MMS2-L1-IS-120-235-	MMS2-L1-IS-130-235-	MMS2-L1-IS-140-235-	MMS2-L1-IS-150-235-	MMS2-L1-IS-160-235-
A Native Image Width	80"	90"	96"	100"	110"	120"	130"	140"	150"	160"
	2032 mm	2286 mm	2438 mm	2540 mm	2794 mm	3048 mm	3302 mm	3556 mm	3810 mm	4064 mm
B Native Image Height	34.04"	38.3"	40.85"	42.55"	46.81"	51.06"	55.32"	59.57"	63.83"	68.09"
	865 mm	973 mm	1038 mm	1081 mm	1189 mm	1297 mm	1405 mm	1513 mm	1621 mm	1729 mm
C Native Image Diagonal	86.94"	97.81"	104.33"	108.68"	119.55"	130.41"	141.28"	152.15"	163.02"	173.88"
	2208 mm	2484 mm	2650 mm	2780 mm	3036 mm	3312 mm	3589 mm	3865 mm	4141 mm	4417 mm
Casing Model	A	A	A	A	A	B	B	B	B	B
D Casing Width (finishing lips not included)	102.22"	113.37"	118.53"	122.93"	134.03"	146.05"	157.01"	168.03"	179.1"	190.24"
	2597 mm	2880 mm	3111 mm	3123 mm	3405 mm	3710 mm	3988 mm	4288 mm	4550 mm	4832 mm
D' Casing Width (finishing lips included)	104.19"	115.34"	120.5"	124.9"	136"	148.02"	158.98"	169.99"	181.07"	192.21"
	2647 mm	2930 mm	3061 mm	3173 mm	3455 mm	3760 mm	4038 mm	4318 mm	4600 mm	4882 mm
E Casing Height (finishing lips not included)	7.37"	7.37"	7.37"	7.37"	7.37"	9.14"	9.14"	9.14"	9.14"	9.14"
	187 mm	187 mm	187 mm	187 mm	187 mm	232 mm	232 mm	232 mm	232 mm	232 mm
F Casing Depth (finishing lips not included)	10.48"	10.48"	10.48"	10.48"	10.48"	13.23"	13.23"	13.23"	13.23"	13.23"
	266 mm	266 mm	266 mm	266 mm	266 mm	336 mm	336 mm	336 mm	336 mm	336 mm
F' Overall Casing Depth - Ceiling Mount (finishing lips included)	12.45"	12.45"	12.45"	12.45"	12.45"	15.2"	15.2"	15.2"	15.2"	15.2"
	316 mm	316 mm	316 mm	316 mm	316 mm	386 mm	386 mm	386 mm	386 mm	386 mm
G Batten Length	91.45"	101.98"	108.32"	115.55"	123.14"	135.35"	145.14"	155.75"	166.39"	177.06"
	2323 mm	2591 mm	2752 mm	2859 mm	3128 mm	3438 mm	3687 mm	3956 mm	4227 mm	4498 mm
H Batten Height	1.89"	1.89"	1.89"	1.89"	1.89"	2.45"	2.45"	2.45"	2.45"	2.45"
	48 mm	48 mm	48 mm	48 mm	48 mm	62 mm	62 mm	62 mm	62 mm	62 mm
I Batten Depth	1.11"	1.11"	1.11"	1.11"	1.11"	1.26"	1.26"	1.26"	1.26"	1.26"
	28 mm	28 mm	28 mm	28 mm	28 mm	32 mm	32 mm	32 mm	32 mm	32 mm
J Black Border Sides	1.97"	1.97"	1.97"	1.97"	1.97"	2.37"	2.37"	2.37"	2.37"	2.37"
	50 mm	50 mm	50 mm	50 mm	50 mm	60 mm	60 mm	60 mm	60 mm	60 mm
K Black Border Bottom	1.97"	1.97"	1.97"	1.97"	1.97"	1.97"	1.97"	1.97"	1.97"	1.97"
	50 mm	50 mm	50 mm	50 mm	50 mm	50 mm	50 mm	50 mm	50 mm	50 mm
Standard Drop (20" / 508 mm)	SolidPix Matte White S1W	•	•	•	•	•	•	•	•	•
Option ED10	SolidPix Matte White S1W	•	•	•	•	•	•	•	•	•
Standard Drop (20" / 508 mm)	GrayPix Ultra-Contrast SCG	•	•	•	•	•	•	•	•	•
Option ED10	GrayPix Ultra-Contrast SCG	•	•	•	•	•	•	•	•	•
Power	Europe 230V 50-60Hz	240 W	240 W	240 W	240 W	240 W	400 W	400 W	400 W	400 W
Power	US 115V 60Hz	200 W	200 W	200 W	200 W	200 W	360 W	360 W	360 W	360 W
Power	Japan 100V 50-60Hz	160 W	160 W	160 W	160 W	160 W	360 W	360 W	360 W	360 W
Net Weight	120.36 lbs	131.14 lbs	137.09 lbs	141.39 lbs	152.19 lbs	209.23 lbs	222.64 lbs	236.75 lbs	250.91 lbs	265.11 lbs
	55 kg	60 kg	63 kg	65 kg	70 kg	95 kg	101 kg	108 kg	114 kg	121 kg
Standard Shipping Length	119.73"	130.89"	136.05"	140.45"	151.55"	167.51"	178.46"	189.48"	200.55"	211.69"
	3041 mm	3325 mm	3456 mm	3567 mm	3849 mm	4255 mm	4533 mm	4813 mm	5094 mm	5377 mm
Standard Shipping Height	11.39"	11.39"	11.39"	11.39"	11.39"	14.32"	14.32"	14.32"	14.32"	14.32"
	289 mm	289 mm	289 mm	289 mm	289 mm	364 mm	364 mm	364 mm	364 mm	364 mm
Standard Shipping Depth	15.33"	15.33"	15.33"	15.33"	15.33"	18.26"	18.26"	18.26"	18.26"	18.26"
	389 mm	389 mm	389 mm	389 mm	389 mm	464 mm	464 mm	464 mm	464 mm	464 mm
Standard Shipping Weight	15.37"	15.37"	15.37"	15.37"	15.37"	18.81"	18.81"	18.81"	18.81"	18.81"
	390 mm	390 mm	390 mm	390 mm	390 mm	478 mm	478 mm	478 mm	478 mm	478 mm
Standard Shipping Weight	177.55 lbs	193.05 lbs	201.18 lbs	207.35 lbs	222.84 lbs	328.64 lbs	349.39 lbs	370.88 lbs	392.46 lbs	414.12 lbs
	81 kg	88 kg	92 kg	95 kg	102 kg	150 kg	159 kg	169 kg	179 kg	188 kg

Intermediate screen sizes are available

SCREEN FABRIC	FABRIC REF.	AVAILABLE IN THE FOLLOWING RANGE OF SIZES
SolidPix1 Matte White / GrayPix Ultra-contrast	S1W / SCG	70" - 160" 1776 mm - 4061 mm

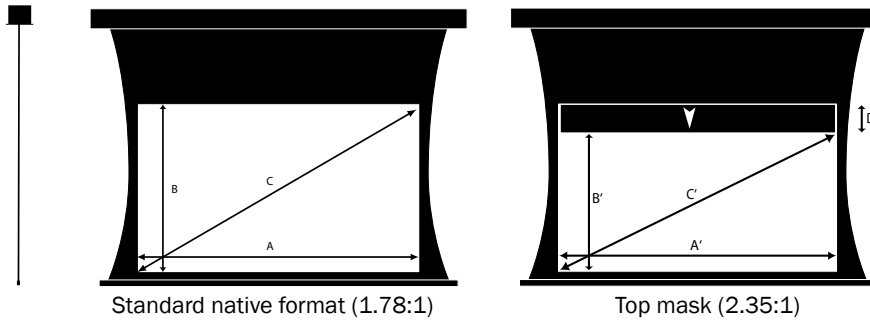
- Recommendation : we suggest to keep a gap of a minimum of 5 mm (0.2"), between the casing and the ceiling clearance.
- Tolerance on screen dimensions: ± 6 mm (± 0.2").
- All quoted weights are approximate (± 5 %). Weights for finished screens will vary depending on options specified.
- Standard 20" (508 mm) screen drop. A seam is required for screens wider than 120", up to a maximum of 160". Seam is positioned in the black drop only.

**Masking Dimensions
1.78:1 Native Image Ratio**

- Achievable Image Ratios: 1.78:1 to 2.76:1

Scope

MMS2-T-IS-???-178-



MODEL	MMS2-T-IS-080-178-	MMS2-T-IS-090-178-	MMS2-T-IS-096-178-	MMS2-T-IS-100-178-	MMS2-T-IS-110-178-	MMS2-T-IS-120-178-	MMS2-T-IS-130-178-	MMS2-T-IS-140-178-	MMS2-T-IS-150-178-	MMS2-T-IS-160-178-
Native Ratio	1.78:1	1.78:1	1.78:1	1.78:1	1.78:1	1.78:1	1.78:1	1.78:1	1.78:1	1.78:1
A Native Image Width	80"	90"	96"	100"	110"	120"	130"	140"	150"	160"
	2032 mm	2286 mm	2438.4 mm	2540 mm	2794 mm	3048 mm	3302 mm	3556 mm	3810 mm	4064 mm
B Native Image Height	45"	50.63"	54"	56.25"	61.88"	67.5"	73.13"	78.75"	84.38"	90"
	1143 mm	1286 mm	1372 mm	1429 mm	1572 mm	1715 mm	1857 mm	2000 mm	2143 mm	2286 mm
Ratio 1.33:1	no	no	no	no	no	no	no	no	no	no
A' Image Width	NA	NA	NA	NA	NA	NA	NA	NA	NA	NA
B' Image Height	NA	NA	NA	NA	NA	NA	NA	NA	NA	NA
C' Image Diagonal	NA	NA	NA	NA	NA	NA	NA	NA	NA	NA
D Mask Width	NA	NA	NA	NA	NA	NA	NA	NA	NA	NA
E Mask Height	NA	NA	NA	NA	NA	NA	NA	NA	NA	NA
From 1.33:1 to 1.78:1	no	no	no	no	no	no	no	no	no	no
Ratio 1.78:1	yes	yes	yes	yes	yes	yes	yes	yes	yes	yes
A' Image Width	80"	90"	96"	100"	110"	120"	130"	140"	150"	160"
	2032 mm	2286 mm	2438 mm	2540 mm	2794 mm	3048 mm	3302 mm	3556 mm	3810 mm	4064 mm
B' Image Height	45"	50.63"	54"	56.25"	61.88"	67.5"	73.13"	78.75"	84.38"	90"
	1143 mm	1286 mm	1372 mm	1429 mm	1572 mm	1715 mm	1857 mm	2000 mm	2143 mm	2286 mm
C' Image Diagonal	91.79"	103.26"	110.15"	114.73"	126.21"	137.68"	149.16"	160.63"	172.1"	183.58"
	2331 mm	2623 mm	2798 mm	2914 mm	3206 mm	3497 mm	3789 mm	4080 mm	4371 mm	4663 mm
D Mask Width	NA	NA	NA	NA	NA	NA	NA	NA	NA	NA
E Mask Height	NA	NA	NA	NA	NA	NA	NA	NA	NA	NA
From 1.78:1 to 2.35:1	yes	yes	yes	yes	yes	yes	yes	yes	yes	yes
Ratio 2.35:1	yes	yes	yes	yes	yes	yes	yes	yes	yes	yes
A' Image Width	80"	90"	96"	100"	110"	120"	130"	140"	150"	160"
	2032 mm	2286 mm	2438 mm	2540 mm	2794 mm	3048 mm	3302 mm	3556 mm	3810 mm	4064 mm
B' Image Height	34.04"	38.3"	40.85"	42.55"	46.81"	51.06"	55.32"	59.57"	63.83"	68.09"
	865 mm	973 mm	1038 mm	1081 mm	1189 mm	1297 mm	1405 mm	1513 mm	1621 mm	1729 mm
C' Image Diagonal	86.94"	97.81"	104.33"	108.68"	119.55"	130.41"	141.28"	152.15"	163.02"	173.88"
	2208 mm	2484 mm	2650 mm	2760 mm	3036 mm	3312 mm	3588 mm	3865 mm	4141 mm	4417 mm
D Mask Width	NA	NA	NA	NA	NA	NA	NA	NA	NA	NA
E Mask Height	10.96"	12.33"	13.15"	13.7"	15.07"	16.44"	17.81"	19.18"	20.55"	21.91"
	278 mm	313 mm	334 mm	348 mm	383 mm	417 mm	452 mm	487 mm	522 mm	557 mm
From 2.35:1 to 2.76:1	yes	yes	yes	yes	yes	yes	yes	yes	yes	yes
Ratio 2.76:1	yes	yes	yes	yes	yes	yes	yes	yes	yes	yes
A' Image Width	80"	90"	96"	100"	110"	120"	130"	140"	150"	160"
	2032 mm	2286 mm	2438 mm	2540 mm	2794 mm	3048 mm	3302 mm	3556 mm	3810 mm	4064 mm
B' Image Height	28.99"	32.61"	34.78"	36.23"	39.86"	43.48"	47.1"	50.72"	54.35"	57.97"
	736 mm	828 mm	883 mm	920 mm	1012 mm	1104 mm	1196 mm	1288 mm	1380 mm	1472 mm
C' Image Diagonal	85.09"	95.73"	102.11"	106.36"	117"	127.63"	138.27"	148.91"	159.54"	170.18"
	2161 mm	2431 mm	2594 mm	2702 mm	2972 mm	3242 mm	3512 mm	3782 mm	4052 mm	4323 mm
D Mask Width	NA	NA	NA	NA	NA	NA	NA	NA	NA	NA
E Mask Height	16.01"	18.02"	19.22"	20.02"	22.02"	24.02"	26.02"	28.03"	30.03"	32.03"
	407 mm	458 mm	488 mm	508 mm	559 mm	610 mm	661 mm	712 mm	763 mm	814 mm

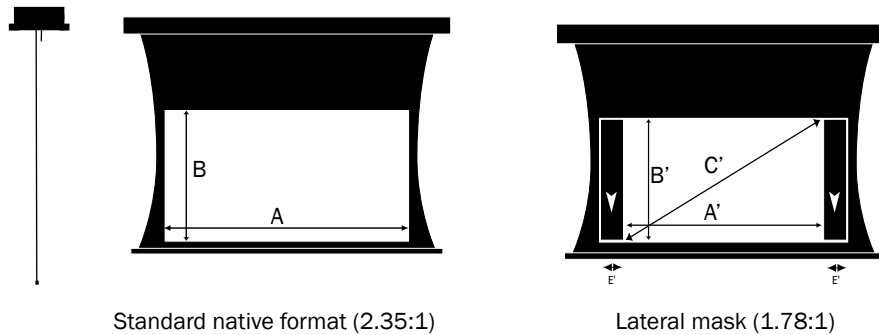
- Tolerance on masking dimensions: ± 6 mm (± 0.2")

**Masking Dimensions
2.35:1 Native Image Ratio**

- Achievable Image Ratios: 1.78:1 and 2.35:1

Cinescope (L1)

MMS2-L1-IS-???-235-



MODEL	MMS2-L1-IS-080-235-	MMS2-L1-IS-090-235-	MMS2-L1-IS-096-235-	MMS2-L1-IS-100-235-	MMS2-L1-IS-110-235-	MMS2-L1-IS-120-235-	MMS2-L1-IS-130-235-	MMS2-L1-IS-140-235-	MMS2-L1-IS-150-235-	MMS2-L1-IS-160-235-	
Native Ratio	2.35:1	2.35:1	2.35:1	2.35:1	2.35:1	2.35:1	2.35:1	2.35:1	2.35:1	2.35:1	
A	Native Image Width	80"	90"	96"	100"	110"	120"	130"	140"	150"	160"
		2032 mm	2286 mm	2438.4 mm	2540 mm	2794 mm	3048 mm	3302 mm	3556 mm	3810 mm	4064 mm
B	Native Image Height	34.04"	38.3"	40.85"	42.55"	46.81"	51.06"	55.32"	59.57"	63.83"	68.09"
		865 mm	973 mm	1038 mm	1081 mm	1189 mm	1297 mm	1405 mm	1513 mm	1621 mm	1729 mm
Ratio	1.33:1	no	no	no	no	no	no	no	no	no	
A'	Image Width	NA	NA	NA	NA	NA	NA	NA	NA	NA	
		NA	NA	NA	NA	NA	NA	NA	NA	NA	
B'	Image Height	NA	NA	NA	NA	NA	NA	NA	NA	NA	
		NA	NA	NA	NA	NA	NA	NA	NA	NA	
C'	Image Diagonal	NA	NA	NA	NA	NA	NA	NA	NA	NA	
		NA	NA	NA	NA	NA	NA	NA	NA	NA	
D	Mask Width	NA	NA	NA	NA	NA	NA	NA	NA	NA	
		NA	NA	NA	NA	NA	NA	NA	NA	NA	
E	Mask Height	NA	NA	NA	NA	NA	NA	NA	NA	NA	
		NA	NA	NA	NA	NA	NA	NA	NA	NA	
	From 1.33:1 to 1.78:1	no	no	no	no	no	no	no	no	no	
Ratio	1.78:1	yes	yes	yes	yes	yes	yes	yes	yes	yes	
A'	Image Width	60.52"	68.09"	72.62"	75.65"	83.22"	90.78"	98.35"	105.91"	113.48"	121.04"
		1537 mm	1729 mm	1845 mm	1922 mm	2114 mm	2306 mm	2498 mm	2690 mm	2882 mm	3074 mm
B'	Image Height	34.04"	38.3"	40.85"	42.55"	46.81"	51.06"	55.32"	59.57"	63.83"	68.09"
		865 mm	973 mm	1038 mm	1081 mm	1189 mm	1297 mm	1405 mm	1513 mm	1621 mm	1729 mm
C'	Image Diagonal	69.44"	78.12"	83.33"	86.8"	95.48"	104.16"	112.84"	121.52"	130.2"	138.88"
		1764 mm	1984 mm	2116 mm	2205 mm	2425 mm	2646 mm	2866 mm	3087 mm	3307 mm	3527 mm
D	Mask Width	9.74"	10.96"	11.69"	12.17"	13.39"	14.61"	15.83"	17.04"	18.26"	19.48"
		247 mm	278 mm	297 mm	309 mm	340 mm	371 mm	402 mm	433 mm	464 mm	495 mm
E	Mask Height	NA	NA	NA	NA	NA	NA	NA	NA	NA	
		NA	NA	NA	NA	NA	NA	NA	NA	NA	
	From 1.78:1 to 2.35:1	no	no	no	no	no	no	no	no	no	
Ratio	2.35:1	yes	yes	yes	yes	yes	yes	yes	yes	yes	
A'	Image Width	80"	90"	96"	100"	110"	120"	130"	140"	150"	160"
		2032 mm	2286 mm	2438 mm	2540 mm	2794 mm	3048 mm	3302 mm	3556 mm	3810 mm	4064 mm
B'	Image Height	34.04"	38.3"	40.85"	42.55"	46.81"	51.06"	55.32"	59.57"	63.83"	68.09"
		865 mm	973 mm	1038 mm	1081 mm	1189 mm	1297 mm	1405 mm	1513 mm	1621 mm	1729 mm
C'	Image Diagonal	86.94"	97.81"	104.33"	108.68"	119.55"	130.41"	141.28"	152.15"	163.02"	173.88"
		2208 mm	2484 mm	2650 mm	2760 mm	3036 mm	3312 mm	3589 mm	3865 mm	4141 mm	4417 mm
D	Mask Width	NA	NA	NA	NA	NA	NA	NA	NA	NA	
		NA	NA	NA	NA	NA	NA	NA	NA	NA	
E	Mask Height	NA	NA	NA	NA	NA	NA	NA	NA	NA	
		NA	NA	NA	NA	NA	NA	NA	NA	NA	

- Tolerance on masking dimensions: ± 6 mm (± 0.2")

Screen Research Contacts

Europe/ROW

Screen Research Worldwide
Parc d'activité Ragon
16 rue Louis Pasteur
44119 Treillières
France

Tel: +33 (0)2 40 77 87 89
Fax: +33 (0)2 40 77 86 78

Email

To place an order: orders@screenresearch.com
To obtain a quotation quote@screenresearch.com
To contact Customer Service customerservice@screenresearch.com
To contact Technical Support techsupport@screenresearch.com

Asia

Screen Research Asia
898/32B SV City 19th Fl. Office Tower
2 Rama III Road
Bangpongpang Yannawa
Bangkok 10120
Thailand

Tel: +66-(0)26 82 90 52
Fax: +66-(0)26 82 65 90

Email

To place an order: ordersasia@screenresearch.com
To obtain a quotation quoteasia@screenresearch.com
To contact Customer Service customerserviceasia@screenresearch.com
To contact Technical Support techsupportasia@screenresearch.com

North America

Screen Research North America
2021 Las Positas Court, Suite 147
Livermore
California 94551

Tel: +1 925 454 9900
Fax: +1 925 454 9904

Email

To place an order: srsales@screenresearch.com
To obtain a quotation srsales@screenresearch.com
To contact Customer Service srsales@screenresearch.com
To contact Technical Support tech@screenresearch.com

© Copyright 2009 Screen Research. All rights reserved.

ClearPix, ClearPix2, SolidPix, SolidPix1, GrayPix, X-Mask, C-Mask, LeWing, TheaterCurve, Pi-Grip, FastGrip, TFX, StopLight, DécorMask and the Screen Research logo are all trademarks of Screen Research.

All other trademarks are the property of their respective owners.

Screen Research products are covered by one or more of the following patents:

No. 00 07372 (France); No. 6,552,847 B2 (USA); No. 04787296.5 (Europe) pending; No. 03 10375 (France); No. 10/570,135 (USA) pending; No. PCT/FR04/02241 (International) pending; No. 200480025260.9 (China) pending; No. 1126/CHGENP/2006 (India) pending; No. 2006-524397 (Japan) pending; No. 04787296.5-2217 (United Kingdom) pending; No. 0409574 (France) pending; No. PCT/IB05/003917 (International) pending; No. 05817119.0-1252 (Europe) pending; No. 08.02361 (France) pending; No. 08/05836 (France) pending; No. 03 07216 (France); No. 10/557 781 (USA) pending; No. 04742791.9 (Europe) pending; No. 6,785,047 (USA); No. 6,137,629 (USA); No. 6,421,175 (USA); No. 6,532,109 (USA)