

Supreme 2 In-Ceiling Motorized Screens Trap Opening

- Screen Fabric
- Accessories
- Control Type

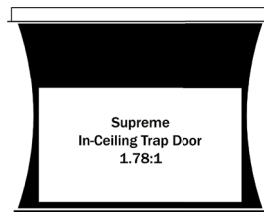
Index**Index**

Product Overview			3
No Masking - Trap Door Opening	1.78:1 Native Image Ratio	ClearPix A.T. Fabric	4
		SolidPix Fabric	5
No Masking - Trap Door Opening	2.35:1 Native Image Ratio	ClearPix A.T. Fabric	6
		SolidPix Fabric	7
Screen Research Contacts			8

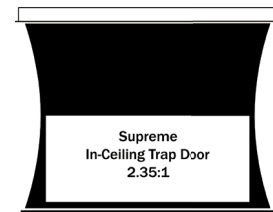
Product Overview

This technical document contains the models, sizes and formats from the extensive Screen Research range of Supreme Motorized Screens. If you require information and/or pricing on models, sizes and variants not contained in this document, please contact Screen Research, their representative or distributor who will be able to assist you.

MOTORIZED SCREENS IN-CEILING TRAP DOOR OPENING SUPREME2



MS2-IT-???-178



MS2-IT-???-235

AVAILABLE OPTIONS		MS2-IT-???-178	MS2-IT-???-235
Extra 10" screen drop	(ref. ED10)	Refer to the table below	Refer to the table below
	MCS-1-12V	•	•
	MCS-1-IR	•	•
Controle type 1	MCS-1-RF	•	•
	MCS-1-RS232	•	•
	MCS-1-IP	•	•

Recommendation : keep the MCS free of access after casing mounting to allow a subsequent operation

STANDARD DROP SIZES / EXTRA DROP AVAILABLE OPTIONS														
Native Ratio	Screen Fabric	Ref. Fabric		80"	90"	96"	100"	110"	120"	130"	140"	150"	160"	
1.78:1	ClearPix2 Matte White	2W-B	Standard Drop	10" / 254 mm	•	•	•	•	•	•	•	•	•	
			ED10	10" / 254 mm	•	•	•	•	•	•	•	•	N/A	
			ED20*	20" / 508 mm	•	•	•	•	•	•	N/A	N/A	N/A	
	ClearPix2 Pearl Gray	2G-B	Standard Drop	10" / 254 mm	•	•	•	•	•	•	N/A	N/A	N/A	N/A
			ED10	10" / 254 mm	•	•	•	•	•	N/A	N/A	N/A	N/A	N/A
			ED20*	20" / 508 mm	•	•	•	N/A	N/A	N/A	N/A	N/A	N/A	N/A
	Solid Pix 1 Matte White or GrayPix Ultra-contrast	SW1 or SCG	Standard Drop	10" / 254 mm	•	•	•	•	•	•	▲	▲	▲	▲
			ED10	10" / 254 mm	•	•	•	•	•	▲	▲	▲	▲	▲
			ED20*	20" / 508 mm	▲	▲	▲	▲	▲	▲	▲	▲	▲	▲
2.35:1	ClearPix2 Matte White	2W-B	Standard Drop	20" / 508 mm	•	•	•	•	•	•	•	•	•	
			ED10	10" / 254 mm	•	•	•	•	•	•	•	•	•	•
			ED20*	20" / 508 mm	•	•	•	•	•	•	•	•	•	N/A
	ClearPix2 Pearl Gray	2G-B	Standard Drop	20" / 508 mm	•	•	•	•	•	•	•	•	N/A	N/A
			ED10	10" / 254 mm	•	•	•	•	•	•	N/A	N/A	N/A	N/A
			ED20*	20" / 508 mm	•	•	•	•	N/A	N/A	N/A	N/A	N/A	N/A
	Solid Pix 1 Matte White or GrayPix Ultra-contrast	SW1 or SCG	Standard Drop	20" / 508 mm	•	•	•	•	•	•	•	▲	▲	▲
			ED10	10" / 254 mm	•	•	•	•	•	▲	▲	▲	▲	▲
			ED20*	20" / 508 mm	•	•	•	▲	▲	▲	▲	▲	▲	▲

• = No Seam Required / ▲ = Seam Required

* Casing length may change with the specification of ED20. Casing size for Standard Drop and ED10 are the same.

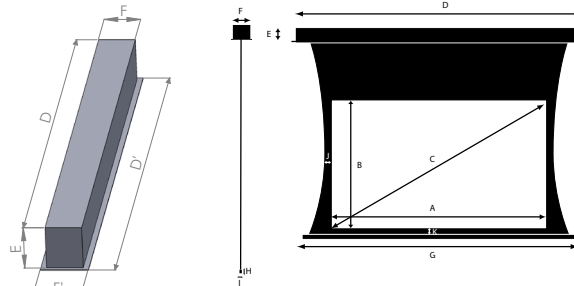
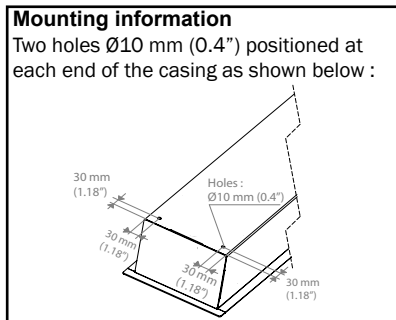
For SolidPix and GrayPix fabrics, all seams are positioned in the black drop only, not in the screen surface.

No Masking - Trap Door Opening 1.78:1 Native Image Ratio

- Achievable Image Ratio: 1.78:1
- New casing and roller assembly design
- White casing, black batten standard
- Patented TFX™ Floating Tab-tensioning included as standard for all screen sizes in all fabrics.

ClearPix A.T. Fabric

**MS2-IT-???-178-2W-B
MS2-IT-???-178-2G-B**



Standard native format (1.78:1)

ITEM	DESCRIPTION	80	90	96	100	110
	Product Codes	MS2-IT-80-178-	MS2-IT-90-178-	MS2-IT-96-178-	MS2-IT-100-178-	MS2-IT-110-178-
A	Native Image Width	80" 2032 mm	90" 2286 mm	96" 2438 mm	100" 2540 mm	110" 2794 mm
B	Native Image Height	45" 1143 mm	50.63" 1286 mm	54" 1372 mm	56.25" 1429 mm	61.88" 1572 mm
C	Native Image Diagonal	91.79" 2331 mm	103.26" 2623 mm	110.15" 2798 mm	114.73" 2914 mm	126.21" 3206 mm
	Casing Model	A	A	A	A	A
D	Casing Width (finishing lips not included)	105.09" 2670 mm	116.34" 2956 mm	121.29" 3081 mm	125.74" 3194 mm	136.92" 3478 mm
D'	Casing Width (finishing lips included)	107.06" 2720 mm	118.31" 3006 mm	123.26" 3131 mm	127.71" 3244 mm	138.89" 3528 mm
E	Casing Height (finishing lips not included)	11.42" 290 mm	11.42" 290 mm	11.42" 290 mm	11.42" 290 mm	11.42" 290 mm
F	Casing Depth (finishing lips not included)	7.01" 178 mm	7.01" 178 mm	7.01" 178 mm	7.01" 178 mm	7.01" 178 mm
F'	Overall Casing Depth (finishing lips included)	8.98" 228 mm	8.98" 228 mm	8.98" 228 mm	8.98" 228 mm	8.98" 228 mm
G	Batten Length	93.22" 2368 mm	104.24" 2648 mm	109.63" 2785 mm	114.01" 2896 mm	124.98" 3175 mm
H	Batten Height	1.89" 48 mm	1.89" 48 mm	1.89" 48 mm	1.89" 48 mm	1.89" 48 mm
I	Batten Depth	1.11" 28 mm	1.11" 28 mm	1.11" 28 mm	1.11" 28 mm	1.11" 28 mm
J	Black Border Sides	1.97" 50 mm	1.97" 50 mm	1.97" 50 mm	1.97" 50 mm	1.97" 50 mm
K	Black Border Bottom	1.97" 50 mm	1.97" 50 mm	1.97" 50 mm	1.97" 50 mm	1.97" 50 mm
	Standard Drop (10" / 254 mm)	ClearPix Matte White 2W-B	•	•	•	•
	Option ED10	ClearPix Matte White 2W-B	•	•	•	•
	Standard Drop (10" / 254 mm)	ClearPix Pearl Gray 2G-B	•	•	•	•
	Option ED10	ClearPix Pearl Gray 2G-B	•	•	•	•
	Power	Europe 230V 50-60Hz	240 W	240 W	240 W	240 W
	Power	US 115V 60Hz	200 W	200 W	200 W	200 W
	Power	Japan 100V 50-60Hz	160 W	160 W	160 W	160 W
	Net Weight	113.24 lbs 52 kg	123.11 lbs 56 kg	127.73 lbs 58 kg	131.65 lbs 60 kg	141.47 lbs 65 kg
	Standard Shipping Length	122.61" 3115 mm	133.86" 3401 mm	138.81" 3526 mm	143.26" 3639 mm	154.44" 3923 mm
	Standard Shipping Height	Standard Packaging	14.16" 360 mm	14.16" 360 mm	14.16" 360 mm	14.16" 360 mm
		Pallet Packaging	18.1" 460 mm	18.1" 460 mm	18.1" 460 mm	18.1" 460 mm
	Standard Shipping Depth	12.39" 315 mm	12.39" 315 mm	12.39" 315 mm	12.39" 315 mm	12.39" 315 mm
	Standard Shipping Weight	189.8 lbs 87 kg	206.11 lbs 94 kg	213.57 lbs 97 kg	220.03 lbs 100 kg	236.26 lbs 108 kg

Intermediate screen sizes are available

SCREEN FABRIC	FABRIC REF.	AVAILABLE IN THE FOLLOWING RANGE OF SIZES	
ClearPix2 Matte White	2W-B	70" - 110"	1776 mm - 2794 mm
ClearPix2 Pearl Gray	2G-B	70" - 110"	1776 mm - 2794 mm

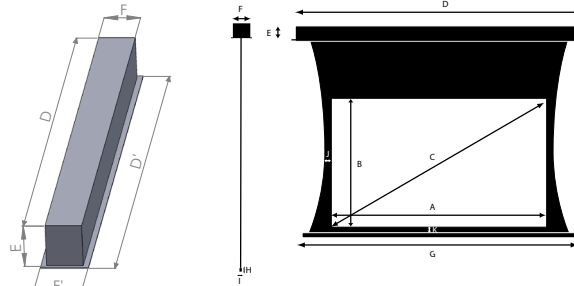
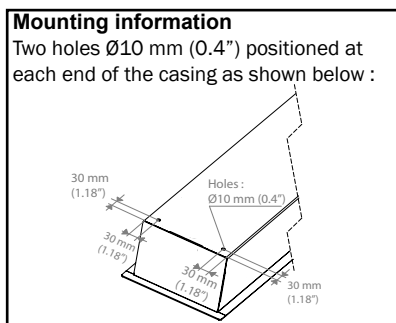
- Recommendation : we suggest to keep a gap of a minimum of 5 mm (0.2"), between the casing and the ceiling clearance.
- Tolerance on screen dimensions: ± 6 mm (± 0.2").
- All quoted weights are approximate (± 5 %). Weights for finished screens will vary depending on options specified.
- Standard 10" (254 mm) screen drop.

No Masking - Trap Door Opening 1.78:1 Native Image Ratio

- Achievable Image Ratio: 1.78:1
- New casing and roller assembly design
- White casing, black batten standard
- Patented TFX™ Floating Tab-tensioning included as standard for all screen sizes in all fabrics

SolidPix Fabric

**MS2-IT-???-178-S1W
MS2-IT-???-178-SCG**



Standard native format (1.78:1)

ITEM	DESCRIPTION	80	90	96	100	110
Product Codes		MS2-IT-80-178-	MS2-IT-90-178-	MS2-IT-96-178-	MS2-IT-100-178-	MS2-IT-110-178-
A	Native Image Width	80"	90"	96"	100"	110"
B	Native Image Height	2032 mm	2286 mm	2438 mm	2540 mm	2794 mm
C	Native Image Diagonal	45"	50.63"	54"	56.25"	61.88"
		1143 mm	1286 mm	1372 mm	1429 mm	1572 mm
		91.79"	103.26"	110.15"	114.73"	126.21"
		2331 mm	2623 mm	2798 mm	2914 mm	3206 mm
Casing Model		A	A	A	A	A
D	Casing Width (finishing lips not included)	105.09"	116.34"	121.29"	125.74"	136.92"
		2670 mm	2956 mm	3081 mm	3194 mm	3478 mm
D'	Casing Width (finishing lips included)	107.06"	118.31"	123.26"	127.71"	138.89"
		2720 mm	3006 mm	3131 mm	3244 mm	3528 mm
E	Casing Height (finishing lips not included)	11.42"	11.42"	11.42"	11.42"	11.42"
		290 mm	290 mm	290 mm	290 mm	290 mm
F	Casing Depth (finishing lips not included)	7.01"	7.01"	7.01"	7.01"	7.01"
		178 mm	178 mm	178 mm	178 mm	178 mm
F'	Overall Casing Depth (finishing lips included)	8.98"	8.98"	8.98"	8.98"	8.98"
		228 mm	228 mm	228 mm	228 mm	228 mm
G	Batten Length	91.57"	102.29"	108.75"	113.06"	123.9"
		2326 mm	2598 mm	2763 mm	2872 mm	3147 mm
H	Batten Height	1.89"	1.89"	1.89"	1.89"	1.89"
		48 mm	48 mm	48 mm	48 mm	48 mm
I	Batten Depth	1.11"	1.11"	1.11"	1.11"	1.11"
		28 mm	28 mm	28 mm	28 mm	28 mm
J	Black Border Sides	1.97"	1.97"	1.97"	1.97"	1.97"
		50 mm	50 mm	50 mm	50 mm	50 mm
K	Black Border Bottom	1.97"	1.97"	1.97"	1.97"	1.97"
		50 mm	50 mm	50 mm	50 mm	50 mm
Standard Drop (10" / 254 mm)		SolidPix Matte White S1W	•	•	•	•
Option ED10		SolidPix Matte White S1W	•	•	•	•
Standard Drop (10" / 254 mm)		GrayPix Ultra-Contrast SCG	•	•	•	•
Option ED10		GrayPix Ultra-Contrast SCG	•	•	•	•
Power		Europe 230V 50-60Hz	240 W	240 W	240 W	240 W
Power		US 115V 60Hz	200 W	200 W	200 W	200 W
Power		Japan 100V 50-60Hz	160 W	160 W	160 W	160 W
Net Weight		102.54 lbs	111.11 lbs	115.58 lbs	119 lbs	127.59 lbs
		47 kg	51 kg	53 kg	54 kg	58 kg
Standard Shipping Length		122.61"	133.86"	138.81"	143.26"	154.44"
		3114 mm	3400 mm	3526 mm	3639 mm	3923 mm
		Standard Packaging	14.16"	14.16"	14.16"	14.16"
		360 mm	360 mm	360 mm	360 mm	360 mm
Standard Shipping Height		18.09"	18.09"	18.09"	18.09"	18.09"
		Pallet Packaging	460 mm	460 mm	460 mm	460 mm
		460 mm	460 mm	460 mm	460 mm	460 mm
Standard Shipping Depth		12.39"	12.39"	12.39"	12.39"	12.39"
		315 mm	315 mm	315 mm	315 mm	315 mm
Standard Shipping Weight		179.1 lbs	194.11 lbs	201.42 lbs	207.39 lbs	222.38 lbs
		82 kg	89 kg	92 kg	95 kg	101 kg

Intermediate screen sizes are available

SCREEN FABRIC	FABRIC REF.	AVAILABLE IN THE FOLLOWING RANGE OF SIZES
SolidPix1 White / GrayPix Ultra-contrast	S1W / SCG	70" - 110" 1776 mm - 2794 mm

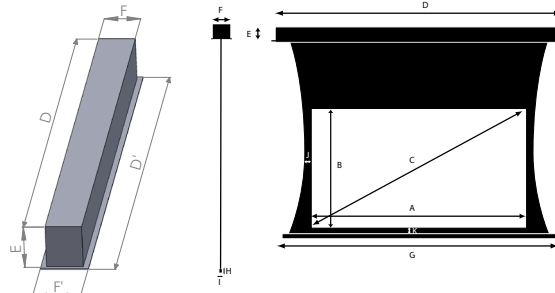
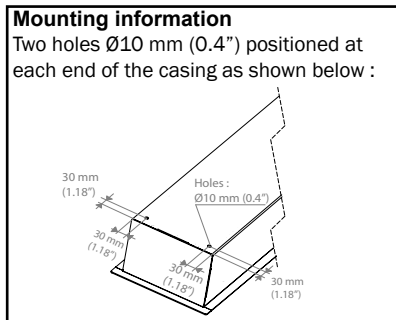
- Recommendation : we suggest to keep a gap of a minimum of 5 mm (0.2"), between the casing and the ceiling clearance.
- Tolerance on screen dimensions: ± 6 mm (± 0.2").
- All quoted weights are approximate (± 5 %). Weights for finished screens will vary depending on options specified.
- Standard 10" (254 mm) screen drop.

No Masking - Trap Door Opening 2.35:1 Native Image Ratio

- Achievable Image Ratio: 2.35:1
- New casing and roller assembly design
- White casing, black batten standard
- Patented TFX™ Floating Tab-tensioning included as standard for all screen sizes in all fabrics
- For projectors with anamorphic technologies

ClearPix A.T. Fabric

**MS2-IT-???-235-2W-B
MS2-IT-???-235-2G-B**



Standard native format (2.35:1)

ITEM	DESCRIPTION	80	90	96	100	110
Product Codes		MS2-IT-80-235-	MS2-IT-90-235-	MS2-IT-96-235-	MS2-IT-100-235-	MS2-IT-110-235-
A	Native Image Width	80"	90"	96"	100"	110"
		2032 mm	2286 mm	2438 mm	2540 mm	2794 mm
B	Native Image Height	34.04"	38.3"	40.85"	42.55"	46.81"
		865 mm	973 mm	1038 mm	1081 mm	1189 mm
C	Native Image Diagonal	86.94"	97.81"	104.33"	108.68"	119.55"
		2208 mm	2484 mm	2650 mm	2760 mm	3036 mm
	Casing Model	A	A	A	A	A
D	Casing Width (finishing lips not included)	105.09"	116.34"	121.29"	125.74"	136.92"
		2670 mm	2956 mm	3081 mm	3194 mm	3478 mm
D'	Casing Width (finishing lips included)	107.06"	118.31"	123.26"	127.71"	138.89"
		2720 mm	3006 mm	3131 mm	3244 mm	3528 mm
E	Casing Height (finishing lips not included)	11.42"	11.42"	11.42"	11.42"	11.42"
		290 mm	290 mm	290 mm	290 mm	290 mm
F	Casing Depth (finishing lips not included)	7.01"	7.01"	7.01"	7.01"	7.01"
		178 mm	178 mm	178 mm	178 mm	178 mm
F'	Overall Casing Depth (finishing lips included)	8.98"	8.98"	8.98"	8.98"	8.98"
		228 mm	228 mm	228 mm	228 mm	228 mm
G	Batten Length	93.06"	103.81"	109.13"	113.4"	124.1"
		2364 mm	2637 mm	2772 mm	2881 mm	3152 mm
H	Batten Height	1.89"	1.89"	1.89"	1.89"	1.89"
		48 mm	48 mm	48 mm	48 mm	48 mm
I	Batten Depth	1.11"	1.11"	1.11"	1.11"	1.11"
		28 mm	28 mm	28 mm	28 mm	28 mm
J	Black Border Sides	1.97"	1.97"	1.97"	1.97"	1.97"
		50 mm	50 mm	50 mm	50 mm	50 mm
K	Black Border Bottom	1.97"	1.97"	1.97"	1.97"	1.97"
		50 mm	50 mm	50 mm	50 mm	50 mm
	Standard Drop (20" / 508 mm)	ClearPix Matte White 2W-B	•	•	•	•
	Option ED10	ClearPix Matte White 2W-B	•	•	•	•
	Standard Drop (20" / 508 mm)	ClearPix Pearl Gray 2G-B	•	•	•	•
	Option ED10	ClearPix Pearl Gray 2G-B	•	•	•	•
	Power	Europe 230V 50-60Hz	240 W	240 W	240 W	240 W
	Power	US 115V 60Hz	200 W	200 W	200 W	200 W
	Power	Japan 100V 50-60Hz	160 W	160 W	160 W	160 W
	Net Weight	113.15 lbs	122.89 lbs	127.48 lbs	131.34 lbs	141.02 lbs
		52 kg	56 kg	58 kg	60 kg	64 kg
	Standard Shipping Length	122.61"	133.86"	138.81"	143.26"	154.44"
		3114 mm	3400 mm	3526 mm	3639 mm	3923 mm
	Standard Shipping Height	Standard Packaging	14.16"	14.16"	14.16"	14.16"
			360 mm	360 mm	360 mm	360 mm
		Pallet Packaging	18.09"	18.09"	18.09"	18.09"
			460 mm	460 mm	460 mm	460 mm
	Standard Shipping Depth	12.39"	12.39"	12.39"	12.39"	12.39"
			315 mm	315 mm	315 mm	315 mm
	Standard Shipping Weight	189.71 lbs	205.89 lbs	213.31 lbs	219.72 lbs	236.81 lbs
		87 kg	94 kg	97 kg	100 kg	107 kg

Intermediate screen sizes are available

SCREEN FABRIC	FABRIC REF.	AVAILABLE IN THE FOLLOWING RANGE OF SIZES
ClearPix2 Matte White	2W-B	70" - 110" 1776 mm - 2794 mm
ClearPix2 Pearl Gray	2G-B	70" - 110" 1776 mm - 2794 mm

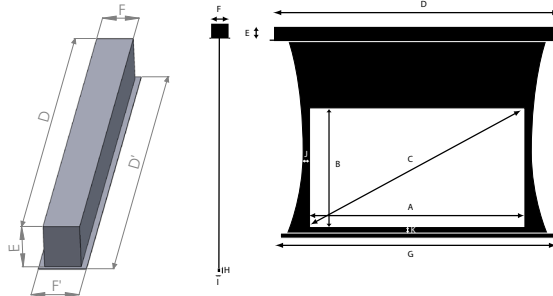
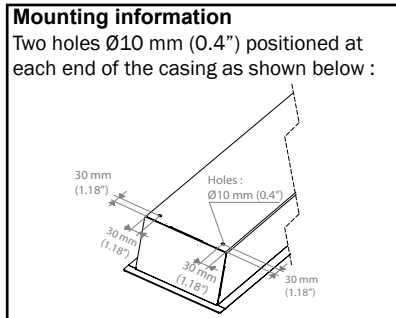
- Recommendation : we suggest to keep a gap of a minimum of 5 mm (0.2"), between the casing and the ceiling clearance.
- Tolerance on screen dimensions: ± 6 mm (± 0.2").
- All quoted weights are approximate (± 5 %). Weights for finished screens will vary depending on options specified.
- Standard 20" (508 mm) screen drop.

No Masking - Trap Door Opening 2.35:1 Native Image Ratio

- Achievable Image Ratio: 2.35:1
- New casing and roller assembly design
- White casing, black batten standard
- Patented TFX™ Floating Tab-tensioning included as standard for all screen sizes in all fabrics
- For projectors with anamorphic technologies

SolidPix Fabric

**MS2-IT-???-235-S1W
MS2-IT-???-235-SCG**



Standard native format (2.35:1)

ITEM	DESCRIPTION	80	90	96	100	110
Product Codes		MS2-IT-80-235-	MS2-IT-90-235-	MS2-IT-96-235-	MS2-IT-100-235-	MS2-IT-110-235-
A	Native Image Width	80"	90"	96"	100"	110"
		2032 mm	2286 mm	2438 mm	2540 mm	2794 mm
B	Native Image Height	34.04"	38.3"	40.85"	42.55"	46.81"
		865 mm	973 mm	1038 mm	1081 mm	1189 mm
C	Native Image Diagonal	86.94"	97.81"	104.33"	108.68"	119.55"
		2208 mm	2484 mm	2650 mm	2760 mm	3036 mm
	Casing Model	A	A	A	A	A
D	Casing Width (finishing lips not included)	105.09"	116.34"	121.29"	125.74"	136.92"
		2670 mm	2956 mm	3081 mm	3194 mm	3478 mm
D'	Casing Width (finishing lips not included)	107.06"	118.31"	123.26"	127.71"	138.89"
		2720 mm	3006 mm	3131 mm	3244 mm	3528 mm
E	Casing Height (finishing lips not included)	11.42"	11.42"	11.42"	11.42"	11.42"
		290 mm	290 mm	290 mm	290 mm	290 mm
F	Casing Depth (finishing lips not included)	7.01"	7.01"	7.01"	7.01"	7.01"
		178 mm	178 mm	178 mm	178 mm	178 mm
F'	Overall Casing Depth (finishing lips not included)	8.98"	8.98"	8.98"	8.98"	8.98"
		228 mm	228 mm	228 mm	228 mm	228 mm
G	Batten Length	91.45"	101.98"	108.32"	112.55"	123.14"
		2323 mm	2591 mm	2752 mm	2859 mm	3128 mm
H	Batten Height	1.89"	1.89"	1.89"	1.89"	1.89"
		48 mm	48 mm	48 mm	48 mm	48 mm
I	Batten Depth	1.11"	1.11"	1.11"	1.11"	1.11"
		28 mm	28 mm	28 mm	28 mm	28 mm
J	Black Border Sides	1.97"	1.97"	1.97"	1.97"	1.97"
		50 mm	50 mm	50 mm	50 mm	50 mm
K	Black Border Bottom	1.97"	1.97"	1.97"	1.97"	1.97"
		50 mm	50 mm	50 mm	50 mm	50 mm
	Standard Drop (20" / 508 mm)	SolidPix Matte White S1W	•	•	•	•
	Option ED10	SolidPix Matte White S1W	•	•	•	•
	Standard Drop (20" / 508 mm)	GrayPix Ultra-Contrast SCG	•	•	•	•
	Option ED10	GrayPix Ultra-Contrast SCG	•	•	•	•
	Power	Europe 230V 50-60Hz	240 W	240 W	240 W	240 W
	Power	US 115V 60Hz	200 W	200 W	200 W	200 W
	Power	Japan 100V 50-60Hz	160 W	160 W	160 W	160 W
	Net Weight	102.49 lbs	110.99 lbs	115.41 lbs	118.8 lbs	127.29 lbs
		47 kg	51 kg	53 kg	54 kg	58 kg
	Standard Shipping Length	122.61"	133.86"	138.81"	143.26"	154.44"
		3114 mm	3400 mm	3526 mm	3639 mm	3923 mm
		14.16"	14.16"	14.16"	14.16"	14.16"
	Standard Shipping Height	360 mm	360 mm	360 mm	360 mm	360 mm
		18.09"	18.09"	18.09"	18.09"	18.09"
		460 mm	460 mm	460 mm	460 mm	460 mm
	Standard Shipping Depth	12.39"	12.39"	12.39"	12.39"	12.39"
		315 mm	315 mm	315 mm	315 mm	315 mm
	Standard Shipping Weight	179.05 lbs	193.99 lbs	201.25 lbs	207.18 lbs	222.07 lbs
		82 kg	88 kg	92 kg	94 kg	101 kg

Intermediate screen sizes are available

SCREEN FABRIC	FABRIC REF.	AVAILABLE IN THE FOLLOWING RANGE OF SIZES
SolidPix1 White / GrayPix Ultra-contrast	S1W / SCG	70" - 110"
		1776 mm - 2794 mm

- Recommendation : we suggest to keep a gap of a minimum of 5 mm (0.2"), between the casing and the ceiling clearance.
- Tolerance on screen dimensions: ± 6 mm (± 0.2").
- All quoted weights are approximate (± 5 %). Weights for finished screens will vary depending on options specified.
- Standard 20" (508 mm) screen drop.

Screen Research Contacts

Europe/ROW

Screen Research Worldwide
Parc d'activité Ragon
16 rue Louis Pasteur
44119 Treillières
France

Tel: +33 (0)2 40 77 87 89
Fax: +33 (0)2 40 77 86 78

Email

To place an order: orders@screenresearch.com
To obtain a quotation: quote@screenresearch.com
To contact Customer Service: customerservice@screenresearch.com
To contact Technical Support: techsupport@screenresearch.com

Asia

Screen Research Asia
898/32B SV City 19th Fl. Office Tower
2 Rama III Road
Bangpongpang Yannawa
Bangkok 10120
Thailand

Tel: +66-(0)26 82 90 52
Fax: +66-(0)26 82 65 90

Email

To place an order: ordersasia@screenresearch.com
To obtain a quotation: quoteasia@screenresearch.com
To contact Customer Service: customerserviceasia@screenresearch.com
To contact Technical Support: techsupportasia@screenresearch.com

North America

Screen Research North America
2021 Las Positas Court, Suite 147
Livermore
California 94551

Tel: +1 925 454 9900
Fax: +1 925 454 9904

Email

To place an order: srsales@screenresearch.com
To obtain a quotation: srsales@screenresearch.com
To contact Customer Service: srsales@screenresearch.com
To contact Technical Support: tech@screenresearch.com

© Copyright 2009 Screen Research. All rights reserved.

ClearPix, ClearPix2, SolidPix, SolidPix1, GrayPix, X-Mask, C-Mask, LeWing, TheaterCurve, Pi-Grip, FastGrip, TFX, StopLight, DécorMask and the Screen Research logo are all trademarks of Screen Research.

All other trademarks are the property of their respective owners.

Screen Research products are covered by one or more of the following patents:

No. 00 07372 (France); No. 6,552,847 B2 (USA); No. 04787296.5 (Europe) pending; No. 03 10375 (France); No. 10/570,135 (USA) pending; No. PCT/FR04/02241 (International) pending; No. 200480025260.9 (China) pending; No. 1126/CHGENP/2006 (India) pending; No. 2006-524397 (Japan) pending; No. 04787296.5-2217 (United Kingdom) pending; No. 0409574 (France) pending; No. PCT/IB05/003917 (International) pending; No. 05817119.0-1252 (Europe) pending; No. 08.02361 (France) pending; No. 08/05836 (France) pending; No. 03 07216 (France); No. 10/557 781 (USA) pending; No. 04742791.9 (Europe) pending; No. 6,785,047 (USA); No. 6,137,629 (USA); No. 6,421,175 (USA); No. 6,532,109 (USA)