

LeWing™ With JBL Speakers Technical Data Sheet



Screen Research France

16 Rue Pasteur
PA du Ragon
44119 Treillières, France
Tel. +33 (0) 2 40 77 87 89
Fax +33 (0) 2 40 77 86 78
info@screenresearch.com

Screen Research North America

2021 Las Positas Court, Suite 147
Livermore, CA 94551 - USA
Tel. (925) 454-9900
Fax (925) 454-9904
sales@screenresearch.com
or: customercare@screenresearch.com

<http://www.screenresearch.com>

LeWing With JBL Speakers

Update

Date		Rev. N°	Action	New Pages	Rev. Pages	Reason for revision
7-Apr-08		A	W	all		- New document
21-Apr-08		B	R		3,4 1 all	- Warranty changes, drawings with masking system - Company addresses changes - Language / usage corrections
30-Apr-08		C	R			- Language / usage corrections

Printed in France
©2008 Screen Research. All rights reserved.

All information in this document is based on the latest product information available at the time of printing. Screen Research reserves the right to make changes at any time without notice and without incurring any obligation.

Current versions of documentation are posted on the Screen Research website at www.screenresearch.com

LeWing With JBL Speakers On-Ceiling Introduction

Designed exclusively for the high-end video projection market, LeWing is a unique home theater solution that pairs a fully retractable, acoustically transparent screen with a control-independent, high-performance speaker system.

Screen Material And Masking System Features

- Patented tab-tensioning system ensures smooth surface
- Acoustically transparent fabrics and black backing layer
- Fully retractable system
- Control-independent speaker/screen

Speaker Casing Features

- Control of the speaker casing deployment
- L.C.R speakers (left, center, right)

Security Control

- Security belts

Speakers Key Features

	JBL1
Frequency Range	55 Hz - 40 KHz
Power Handling	100 Watts (each)
Sensitivity (2.83V/1m)	91 dB
Nominal impedance	8 Ohms

Warranty

Screen Research's warranty covers defects in workmanship and fabrics, provided screen has been installed in a normal environment and maintained according to the written instructions.

Surface fabric(s) and frame are guaranteed for five (5) years from date of installation, not to exceed 63 months from date of invoice.

Motors, motor controllers, and assembly hardware are guaranteed for three (3) years – including parts and labor – not to exceed 39 months from date of invoice.

LeWing With JBL On-Ceiling



IMAGE SIZE:

80" and 96"

JBL1

CASING HEIGHT:

10.6"

JBL1

CASING DEPTH:

16.5"

JBL1

SPECIFICATIONS:

Aluminum casing
Casing Color
Speaker Casing*
Batten Color
Tab Tensioning System
Black-Matte Image Border
(Standard 12" black-drop included unless otherwise specified)

Included
White-Matte
White
White
Included
Included

FABRICS:

ClearPix2™ Projection Screen Fabric
Black Backing Layer

Included
Included

MOTORS:

Power 230 Volt - International*
Power 120 Volt - US*
Power 115 Volt - Japan *

To Specify
To Specify
To Specify

MANDATORY CONTROL SYSTEM:

MCS**
IR/RS232

By default
Optional

MOUNTING:

Wall Mount

Included

OPTIONS:

* Speaker casing color and motor voltage are options which must be specified with order.

** MCS is required but sold separately.

LeWing With JBL Speakers In-Ceiling Introduction

Designed exclusively for the high-end video projection market, LeWing is a unique home theater solution that pairs a fully retractable, acoustically transparent screen with a control-independent, high-performance speaker system.

Screen Material And Masking System Features

- Patented tab-tensioning system ensures smooth surface
- Screen center-line can be easily adjusted into the casing
- New solid material for horizontal masking
- Acoustically transparent material for vertical masking
- Control-independent speaker/screen
- Fully retractable system

Speaker Casing Features

- Speaker casing motor inside the speaker casing itself
- Anti-vibration system
- Flush-mount system on the top speaker casing
- Control of the speaker casing deployment
- "Quiet blocks" for the speaker casing end of travel
- L.C.R speakers (left, center, right)

Trap door Features

- Flush-mount system for perfect screen in-ceiling
- Trap door can be easily adjusted (height, length, diagonal)

Security Control

- Switch control system not to shut the trap door by mistake
- Control-independent Trap door motors
- Security belts

Speakers Key Features

	JBL2	JBL3	JBL4
Frequency Range	50 Hz - 22 KHz	48 Hz - 40 KHz	70 Hz - 40 KHz
Power Handling	150 Watts (each)	200 Watts (each)	300 Watts (each)
Sensitivity (2.83V/1m)	92 dB	89 dB	90 dB
Nominal impedance	8 Ohms	6 Ohms	8 Ohms

Warranty

Screen Research's warranty covers defects in workmanship and fabrics, provided screen has been installed in a normal environment and maintained according to the written instructions.

Surface fabric(s) and frame are guaranteed for five (5) years from date of installation, not to exceed 63 months from date of invoice.

Motors, motor controllers, and assembly hardware are guaranteed for three (3) years – including parts and labor – not to exceed 39 months from date of invoice.

LeWing With JBL In-Ceiling

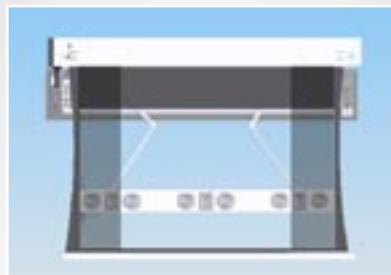


IMAGE SIZE:

Up to 110" JBL2
Up to 120" JBL3 - JBL4

MASKING SYSTEM:

1.78 native image ratio with masking to 2:35.1 JBL2-JBL3- JBL4
2:35 native image ratio with masking to 1.78 JBL2-JBL3- JBL4

CASING HEIGHT:

11.8" JBL2 - JBL3
15.4" JBL4

CASING DEPTH:

19.6" JBL2 - JBL3
23.9" JBL4

SPECIFICATIONS:

Aluminum casing Included
Casing Color White-Matte
Speaker Casing* Black, White
Batten Color Black-Matte
Tab Tensioning System Included
Black-Matte Image Border Included
(Standard 12" black-drop included unless otherwise specified)

FABRICS:

ClearPix2™ Projection Screen Fabric Included
Black Backing Layer Included

MOTORS:

Power 230 Volt - International* To Specify
Power 120 Volt - US* To Specify
Power 115 Volt - Japan * To Specify

MANDATORY CONTROL SYSTEM:

SRCS** By default
IR/RS232 Optional
Multi Motor Control Optional

MOUNTING:

Wall Mount Included

OPTIONS:

* Speaker casing color and motor voltage are options which must be specified with order.
** SRCS is required but sold separately.

LeWing With JBL Speakers Specifications

— On-Ceiling —

— In-Ceiling —

LeWing JBL1



Room surface : up to 30 m²

Number of speakers : 3 (LCR)

Power Handling : 100 Watts (with 80Hz cut-off)

Nominal Impedance : 8 Ohms
Sensitivity : 91dB
Frequency Response : (±3dB) 55Hz – 40kHz

Ultrahigh-Frequency Driver
 3/4" (19mm) Mylar® dome, cast aluminum chassis, mounted in a Bi-Radiat® horn.

High-Frequency Transducer
 1" (25mm) Pure titanium dome in JBL EOS™ waveguide, cast aluminum chassis

Low-Frequency Transducer
 Dual 5-1/4" (130mm) PolyPlus™ cones with rubber surrounds, cast aluminum chassis, HeatScape™ motor structures, Symmetrical Field Geometry™ (SFG™), oversized Kapton® voice coils, magnetic shoring rings.

Magnetically Shielded : Yes

Recommended Sub-Woofer : L8400P, ES250P, ES150P, HT88 (IW)

Recommended Surround : SPS II (IW), SP6II (IC), P52 (OW)

LeWing JBL2



Room surface : up to 45 m²

Number of speakers : 3 (LCR)

Power Handling : 150 Watts (with 80Hz cut-off)

Nominal Impedance : 8 Ohms
Sensitivity : 92dB
Frequency Response : (±3dB) 50Hz – 22kHz

High-Frequency Transducer
 1" (25mm) Pure titanium dome in JBL EOS™ waveguide, cast aluminum chassis

Midrange Transducer
 4" (100mm) PolyPlus™ cone with rubber surround, cast aluminum chassis, HeatScape™ motor structure

Low-Frequency Transducer
 Dual 6" (150mm) PolyPlus™ cones with rubber surrounds, cast aluminum chassis, HeatScape™ motor structures, Symmetrical Field Geometry™, oversized Kapton® voice coils, magnetic shoring rings

Magnetically Shielded : Yes

Recommended Sub-Woofer : PS1400, L8400P, HT88 (IW)

Recommended Surround : SP8C II (IC), SP8 II (IW), P52 (OW)

LeWing JBL3



Room surface : up to 65 m²

Number of speakers : 3 (LCR)

Power Handling : 200 Watts (with 80Hz cut-off)

Nominal Impedance : 6 Ohms
Sensitivity : 89dB
Frequency Response : (±3dB) 48Hz - 40kHz

Ultra-High Frequency Driver
 045Ti 1" Pure-titanium compression driver with aluminum edge-wound voice coil and 2" (51mm) neodymium motor assembly

High-Frequency Driver
 175ND-3 1.75" compression driver w/Bi-Radiat® horn compression driver

Mid-Bass Driver
 Dual 6-1/2" cones, shielded, Symmetrical Field Geometry™ (SFG), Symmetrical Inductance Modulation (SIM) and Vented Gap Cooling™ (VGC).

Recommended Sub-Woofer : 1500 Array, PS 1400, S2S, S4S (IW)

Recommended Surround : S4Ai (IW), P81 (IC), P52 (OW)

LeWing JBL4



Room surface : up to 100 m²

Number of speakers : 3 (LCR)

Power Handling : 300 Watts (with 80Hz cut-off)

Nominal Impedance : 8 Ohms
Sensitivity : 90dB
Frequency Response : (±3dB) 70Hz – 40kHz

Ultra-High Frequency Driver
 045Ti 1" Pure-titanium compression driver with aluminum edge-wound voice coil and 2" neodymium motor assembly.

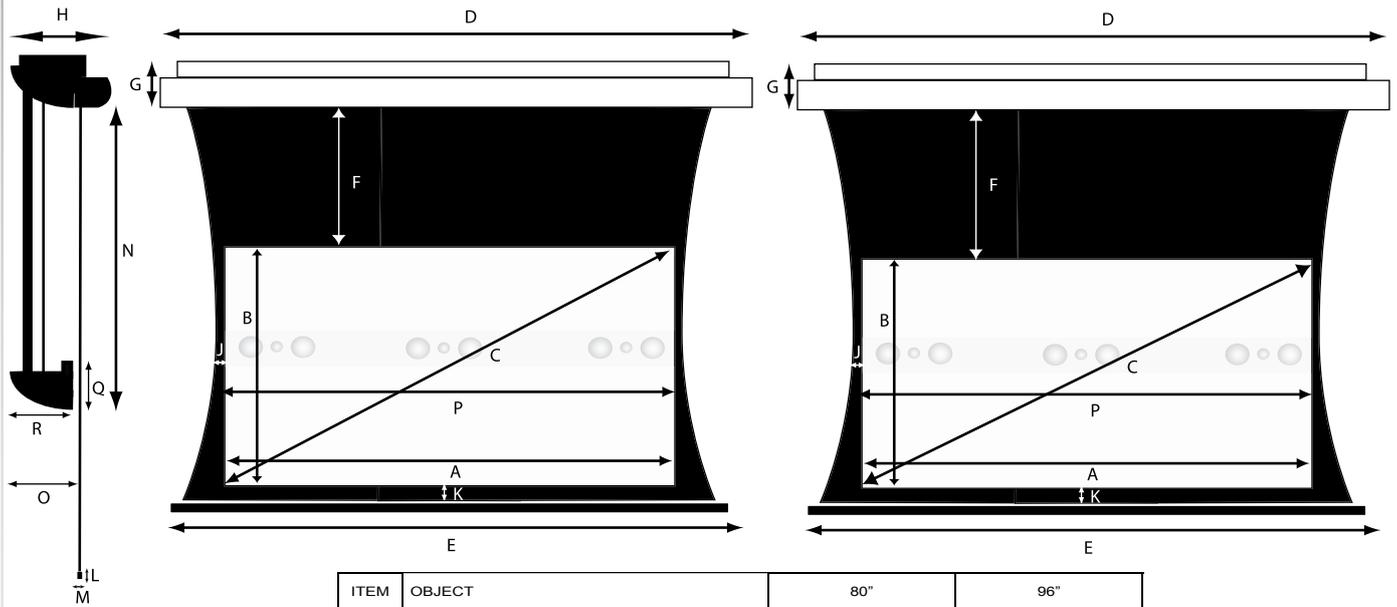
High-Frequency Transducer
 435AL-1 3" Aquaplas-treated aluminum-dome compression driver with aluminum edge-wound voice coil and neodymium motor assembly, mounted in a vertical SonoGlass™ constant directivity horn.

Low-Frequency Transducer
 Dual Array 8C 8" polymer treated pulp-cone driver with rubber surround and massive ferrite motor assembly with 4" copper edge-wound voice coil.

Recommended Sub-Woofer : 1500 Array, S1S-EX, S2S, S4S (IW)

Recommended Surround : S4Ai (IW), P941 (IC)

LeWing With JBL1 / On-Ceiling (1.78 and 2.35 native ratios)

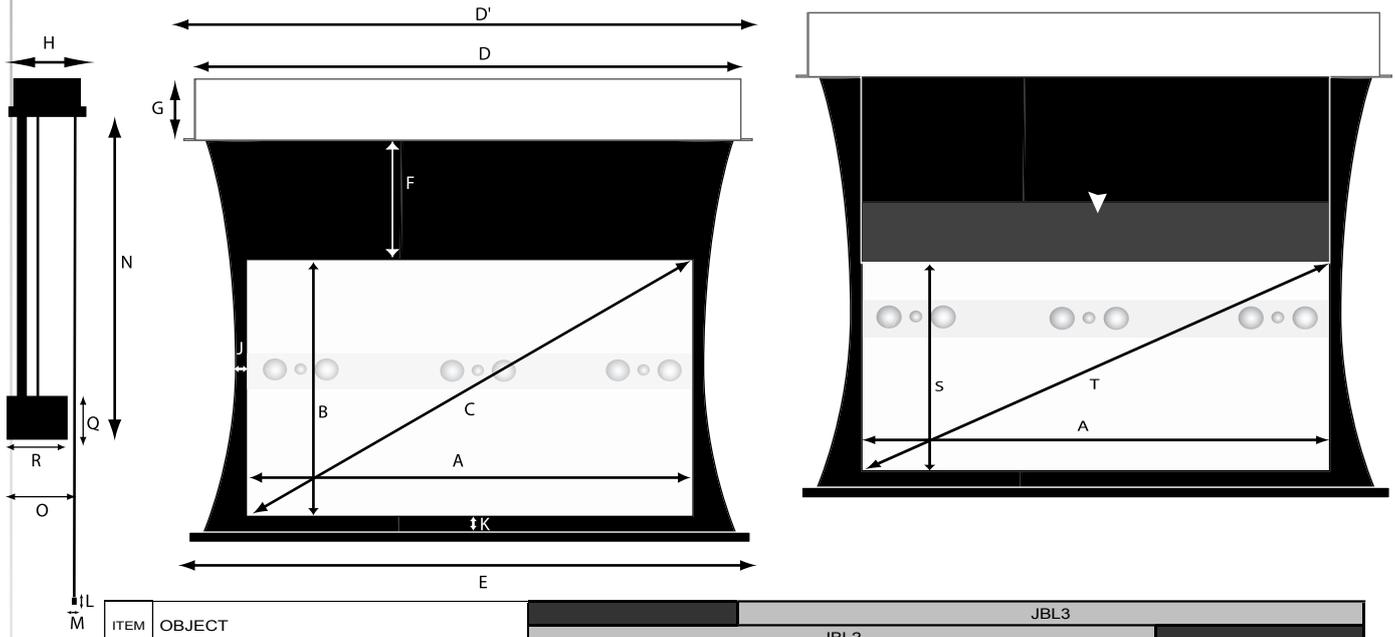


ITEM	OBJECT	80"	96"
	JBL1 Products Codes (178 native ratio)	W1-80-178-2W-B-??	W1-96-178-2W-B-??
	JBL1 Products Codes (235 native ratio)	W1-80-235-2W-B-??	W1-96-235-2W-B-??
A	Image width	80" 2032 mm	96" 2438 mm
B	Image height	1.78 Native Ratio 45" 1143 mm	54" 1372 mm
		2.35 Native Ratio 34" 864 mm	41" 1041 mm
C	Image Diagonal	1.78 Native Ratio 91.8" 2331 mm	110.1" 2798 mm
		2.35 Native Ratio 86.9" 2208 mm	104.4" 2651 mm
D	Casing Width	102" 2580 mm	118" 2986 mm
E	Batten Length	92" 2326 mm	108" 2732 mm
F	Standard Drop	20" 508 mm	
	Maxi Drop	29.5" 750 mm	
G	Casing Height	10.6" 270 mm	
H	Casing Depth	16.5" 420 mm	
J	Black Border - sides	2" 50 mm	
K	Black Border - bottom	2" 50 mm	
L	Batten Height	2.2" 55 mm	
M	Batten Depth	1" 25 mm	
	Speaker Standard Position	5/8 Screen Height	
N	Maximum Speaker Travel	61.8" 1570 mm	
O	Minimum Distance From Wall To Screen	11.8" 300 mm	
P	Speaker Width	80" 2032 mm	96" 2438 mm
Q	Speaker Height	7.1" 180 mm	
R	Speaker Depth	10.6" 270 mm	
	Power 230V - International	230V 50-60 Hz 1.5A (350W)	
	Power 120V - US	120V 60 Hz 3.0A (350W)	
	Power 115V - Japan	100V 50-60 Hz 3.5A (350W)	
	Weight Per Speaker	100 lbs 45 kg	110 lbs 50 kg
	Shipping Weight	224 lbs 102 kg	251 lbs 114 kg
	Net Weight	176 lbs 80 kg	198 lbs 90 kg

Tolerance spec on all screens dimensions are +/- 6mm (1/4")

*The 2 question marks at the end of the product code (-??) represent the options which must be specified with the order.

LeWing With JBL2/JBL3/In-Ceiling (1.78 native ratio with masking to 2.35)

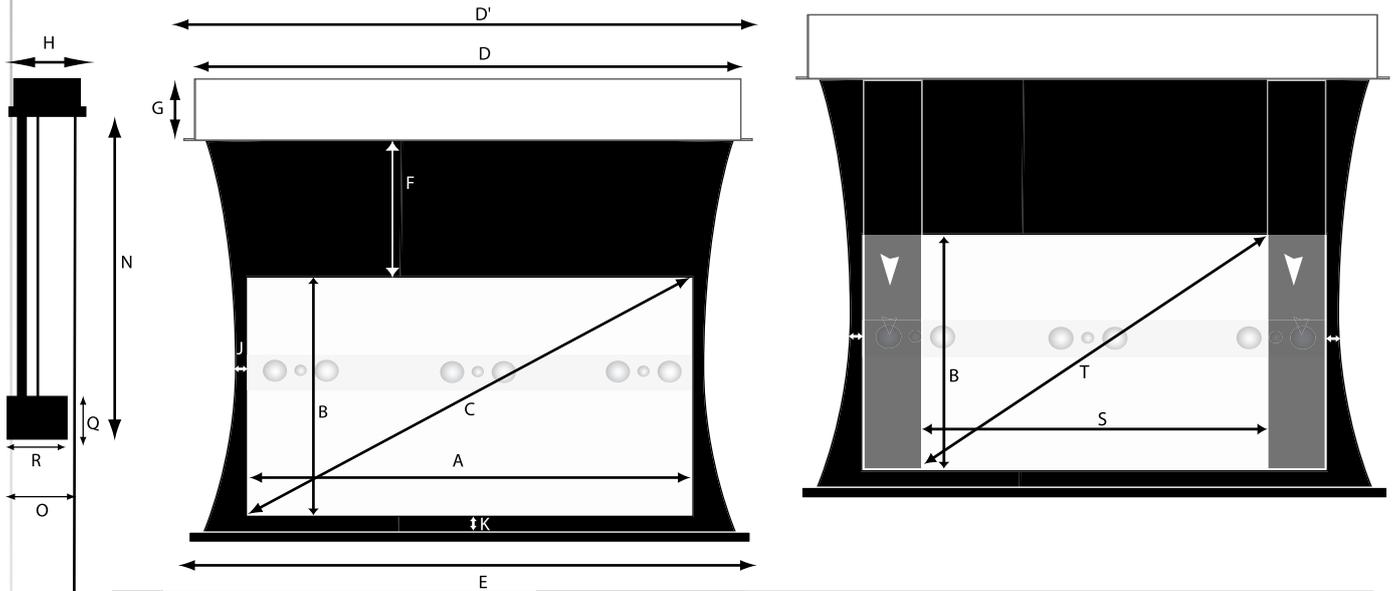


ITEM	OBJECT	JBL3				
		JBL2		JBL3		
	Screens Sizes	80"	96"	110"	120"	
	JBL2 Products Codes	W2-MT-IT-80-178-2W-B-??	W2-MT-IT-96-178-2W-B-??	W2-MT-IT-110-178-2W-B-??	-	
	JBL3 Products Codes	-	W3-MT-IT-96-178-2W-B-??	W3-MT-IT-110-178-2W-B-??	W3-MT-IT-120-178-2W-B-??	
A	Image width	80" 2032 mm	96" 2438 mm	110" 2794 mm	120" 3048 mm	
B	Image height	45" 1143 mm	54" 1372 mm	61.9" 1572 mm	67.5" 1715 mm	
C	Image Diagonal	91.8" 2331 mm	110.1" 2798 mm	126.2" 3206 mm	137.7" 3497 mm	
D	Casing Width	100" 2538 mm	116" 2944 mm	130" 3300 mm	140" 3554 mm	
D'	Overall Casing Width	101" 2568 mm	117" 2974 mm	131" 3330 mm	141" 3584 mm	
E	Batten Length	92" 2326 mm	108" 2732 mm	122" 3088 mm	132" 3342 mm	
F	Standard Drop	20" 508 mm				
	Maxi Drop	29.5" 750 mm				
G	Casing Height	11.8" 300 mm				
H	Casing Depth	19.6" 497 mm				
J	Black Border - sides	2" 50 mm				
K	Black Border - bottom	2" 50 mm				
L	Batten Height	2.2" 55 mm				
M	Batten Depth	1" 25 mm				
	Speaker Standard Position	5/8 Screen Height				
N	Maximum Speaker Travel	61.8" 1570 mm				
O	Minimum Distance From Wall To Screen	16.1" 410 mm				
P	Speaker Width	80" 2032 mm	96" 2438 mm	110" 2794 mm	120" 3048 mm	
Q	Speaker Height	8.3" 210 mm				
R	Speaker Depth	12.2" 310 mm				
S	2.35	Image Height	34" 865 mm	41" 1037 mm	47" 1189 mm	51" 1297 mm
		Diag. Image	87" 2208 mm	104" 2649 mm	120" 3036 mm	130" 3312 mm
	Power 230V - International	230V 50-60 Hz 2.5A (600W)				
	Power 120V - US	120V 60 Hz 5.5A (600W)				
	Power 115V - Japan	100V 50-60 Hz 6A (600W)				
	Weight Per Speaker	117 lbs 53 kg	136.6 lbs 62 kg	157 lbs 71 kg	180 lbs 82 kg	
	Shipping Weight	431 lbs 195.5 kg	507 lbs 230 kg	583 lbs 264.5 kg	670.5 lbs 304 kg	
	Net Weight	356 lbs 161.5 kg	419 lbs 190 kg	482 lbs 218.5 kg	554 lbs 251 kg	

Tolerance spec on all screens dimensions are +/- 6mm (1/4")

*The 2 question marks at the end of the product code (-??) represent the options which must be specified with the order.

LeWing With JBL2/JBL3/In-Ceiling (2.35 native ratio with masking to 1.78)

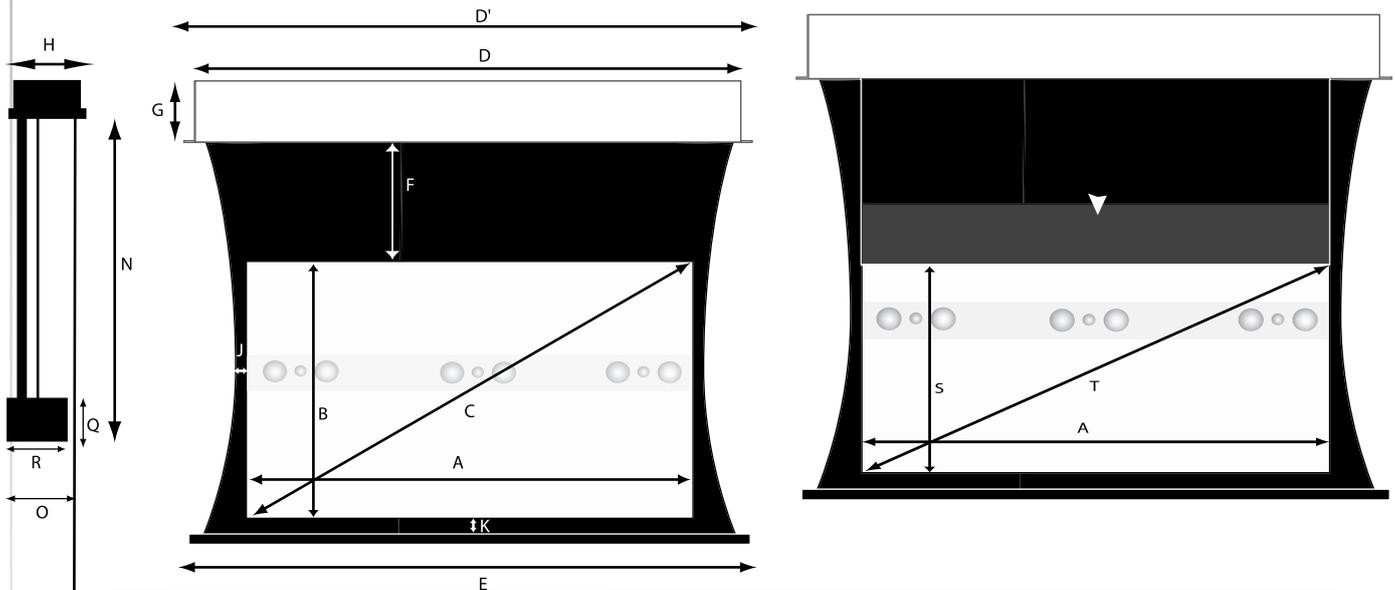


ITEM	OBJECT	JBL3				
		JBL2		JBL3		
	Screens Sizes	80"	96"	110"	120"	
	JBL2 Products Codes	W2-MT-IT-80-235-2W-B-??	W2-MT-IT-96-235-2W-B-??	W2-MT-IT-110-235-2W-B-??	-	
	JBL3 Products Codes	-	W3-MT-IT-96-235-2W-B-??	W3-MT-IT-110-235-2W-B-??	W3-MT-IT-120-235-2W-B-??	
A	Image width	80" 2032 mm	96" 2438 mm	110" 2794 mm	120" 3048 mm	
B	Image height	34" 864 mm	40.9" 1039 mm	46.8" 1189 mm	51.1" 1298 mm	
C	Image Diagonal	86.9" 2208 mm	104.3" 2650 mm	119.5" 3036 mm	130.4" 3313 mm	
D	Casing Width	100" 2538 mm	116" 2944 mm	130" 3300 mm	140" 3554 mm	
D'	Overall Casing Width	101" 2568 mm	117" 2974 mm	131" 3330 mm	141" 3584 mm	
E	Batten Length	92" 2326 mm	108" 2732 mm	122" 3088 mm	132" 3342 mm	
F	Standard Drop	20" 508 mm				
	Maxi Drop	29.5" 750 mm				
G	Casing Height	11.8" 300 mm				
H	Casing Depth	19.6" 497 mm				
J	Black Border - sides	2" 50 mm				
K	Black Border - bottom	2" 50 mm				
L	Batten Height	2.2" 55 mm				
M	Batten Depth	1" 25 mm				
	Speaker Standard Position	5/8 Screen Height				
N	Maximum Speaker Travel	61.8" 1570 mm				
O	Minimum Distance From Wall To Screen	16.1" 410 mm				
P	Speaker Width	80" 2032 mm	96" 2438 mm	110" 2794 mm	120" 3048 mm	
Q	Speaker Height	8.3" 210 mm				
R	Speaker Depth	12.2" 310 mm				
S	1.78	Image Width	60" 1536 mm	73" 1847 mm	83" 2114 mm	91" 2308 mm
		Diag. Image	100" 2547 mm	120" 3059 mm	138" 3504 mm	151" 3823 mm
	Power 230V - International	230V 50-60 Hz 2.5A (600W)				
	Power 120V - US	120V 60 Hz 5.5A (600W)				
	Power 115V - Japan	100V 50-60 Hz 6A (600W)				
	Weight Per Speaker	117 lbs 53 kg	136.6 lbs 62 kg	157 lbs 71 kg	180 lbs 82 kg	
	Shipping Weight	431 lbs 195.5 kg	507 lbs 230 kg	583 lbs 264.5 kg	670.5 lbs 304 kg	
	Net Weight	356 lbs 161.5 kg	419 lbs 190 kg	482 lbs 218.5 kg	554 lbs 251 kg	

Tolerance spec on all screens dimensions are +/- 6mm (1/4")

*The 2 question marks at the end of the product code (-??) represent the options which must be specified with the order.

LeWing With JBL4 / In-Ceiling (1.78 native ratio with masking to 2.35)

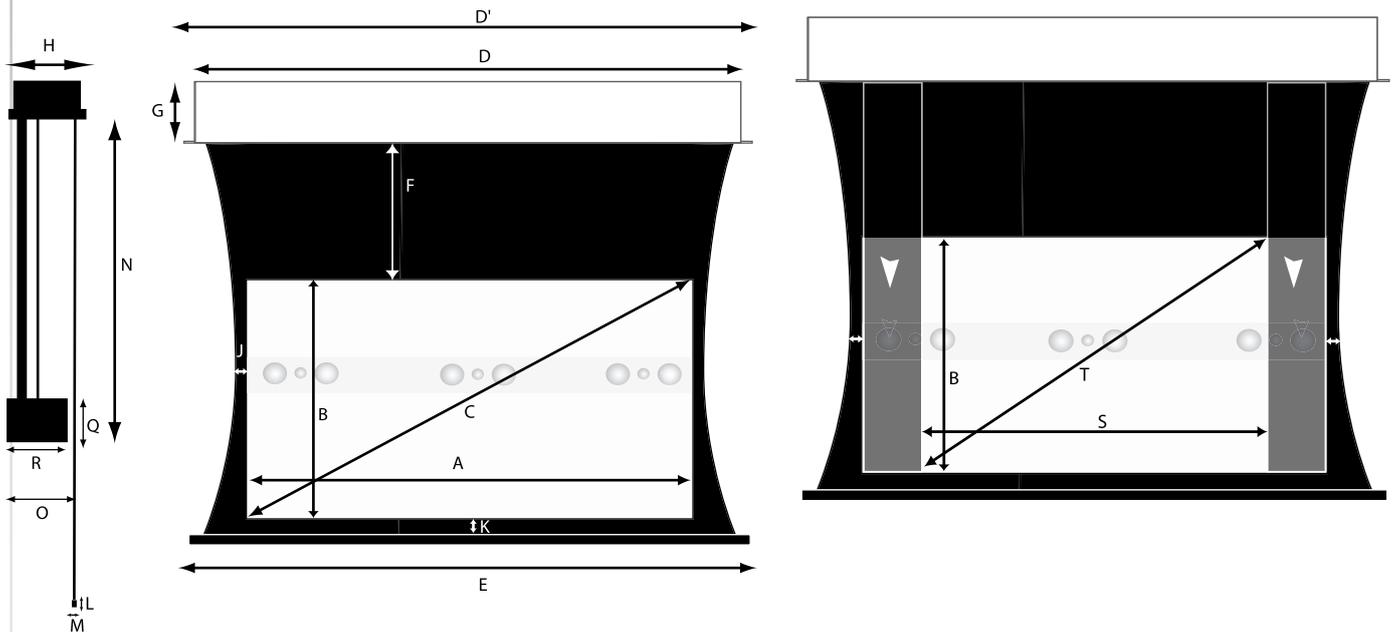


ITEM	OBJECT	96	110	120	
	JBL4 Products Codes	W4-MT-IT-96-178-2W-B-??	W4-MT-IT-110-178-2W-B-??	W4-MT-IT-120-178-2W-B-??	
A	Image width	96" 2438 mm	110" 2794 mm	120" 3048 mm	
B	Image height	54" 1372 mm	61.9" 1572 mm	67.5" 1715 mm	
C	Image Diagonal	110.1" 2798 mm	126.2" 3206 mm	137.7" 3497 mm	
D	Casing Width	116" 2944 mm	130" 3300 mm	140" 3554 mm	
D'	Overall Casing Width	117" 2974 mm	131" 3330 mm	141" 3584 mm	
E	Batten Length	108" 2732 mm	122" 3088 mm	132" 3342 mm	
F	Standard Drop		20" 508 mm		
	Maxi Drop		29.5" 750 mm		
G	Casing Height		15.4" 390 mm		
H	Casing Depth		23.9" 607 mm		
J	Black Border - sides		2" 50 mm		
K	Black Border - bottom		2" 50 mm		
L	Batten Height		2.2" 55 mm		
M	Batten Depth		1" 25 mm		
	Speaker Standard Position		5/8 Screen Height		
N	Maximum Speaker Travel		61.8" 1570 mm		
O	Minimum Distance From Wall To Screen		20.5" 520mm		
P	Speaker Width	96" 2438 mm	110" 2794 mm	120" 3048 mm	
Q	Speaker Height		11.8" 300 mm		
R	Speaker Depth		16.5" 420 mm		
S	2.35	Image Height	41" 1037 mm	47" 1189 mm	51" 1297 mm
		Diag. Image	104" 2649 mm	120" 3036 mm	130" 3312 mm
	Power 230V - International		230V 60 Hz 3.3A (800W)		
	Power 120V - US		120V 60 Hz 7.3A (800W)		
	Power 115V - Japan		100V 50-60 Hz 8A (800W)		
	Weight Per Speaker		202.8 lbs - 92 kg		
	Shipping Weight		to be communicated subsequently		

Tolerance spec on all screens dimensions are +/- 6mm (1/4")

*The 2 question marks at the end of the product code (-??) represent the options which must be specified with the order.

LeWing With JBL4 / In-Ceiling (2.35 native ratio with masking to 1.78)

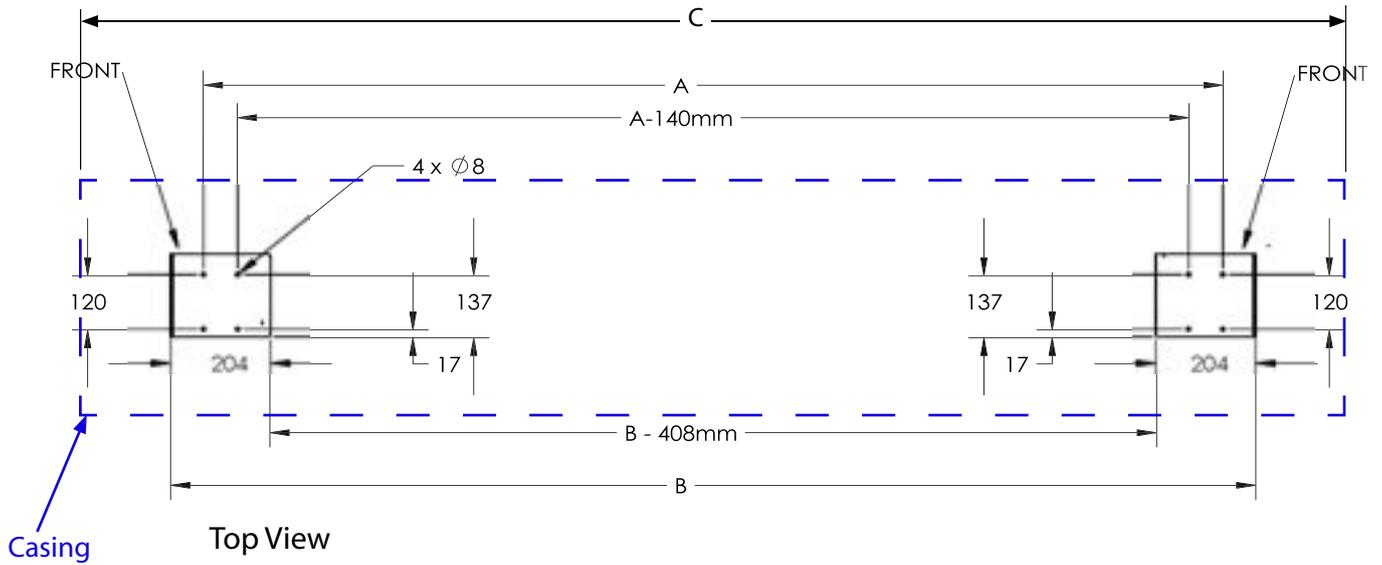


ITEM	OBJECT	96	110	120	
	JBL4 Products Codes	W4-MT-IT-96-235-2W-B-??	W4-MT-IT-110-235-2W-B-??	W4-MT-IT-120-235-2W-B-??	
A	Image width	96" 2438 mm	110" 2794 mm	120" 3048 mm	
B	Image height	40.9" 1039 mm	46.8" 1189 mm	51.1" 1298 mm	
C	Image Diagonal	104.3" 2650 mm	119.5" 3036 mm	130.4" 3313 mm	
D	Casing Width	116" 2944 mm	130" 3300 mm	140" 3554 mm	
D'	Overall Casing Width	117" 2974 mm	131" 3330 mm	141" 3584 mm	
E	Batten Length	108" 2732 mm	122" 3088 mm	132" 3342 mm	
F	Standard Drop	20" 508 mm			
	Maxi Drop	29.5" 750 mm			
G	Casing Height	15.4" 390 mm			
H	Casing Depth	23.9" 607 mm			
J	Black Border - sides	2" 50 mm			
K	Black Border - bottom	2" 50 mm			
L	Batten Height	2.2" 55 mm			
M	Batten Depth	1" 25 mm			
	Speaker Standard Position	5/8 Screen Height			
N	Maximum Speaker Travel	61.8" 1570 mm			
O	Minimum Distance From Wall To Screen	20.5" 520mm			
P	Speaker Width	96" 2438 mm	110" 2794 mm	120" 3048 mm	
Q	Speaker Height	8.3" 210 mm			
R	Speaker Depth	12.2" 310 mm			
S	1.78	Image Width	73" 1847 mm	83" 2114 mm	91" 2308 mm
		Diag. Image	120" 3059 mm	138" 3504 mm	151" 3823 mm
	Power 230V - International	230V 60 Hz 3.3A (800W)			
	Power 120V - US	120V 60 Hz 7.3A (800W)			
	Power 115V - Japan	100V 50-60 Hz 8A (800W)			
	Weight Per Speaker	202.8 lbs - 92 kg			
	Shipping Weight	to be communicated subsequently			

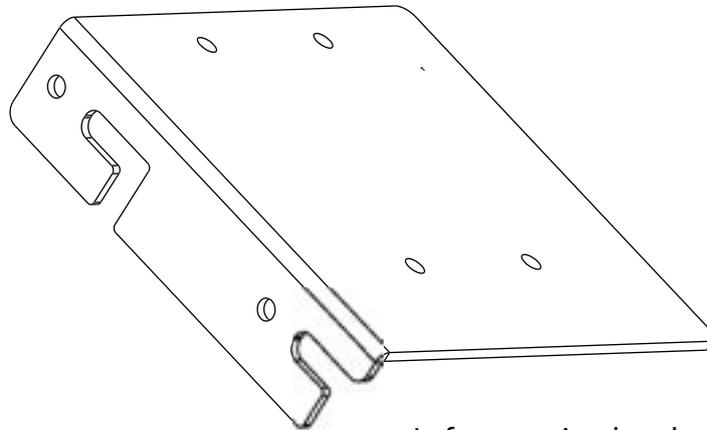
Tolerance spec on all screens dimensions are +/- 6mm (1/4")

*The 2 question marks at the end of the product code (-??) represent the options which must be specified with the order.

LeWing With JBL1 / On-Ceiling Mounting Dimensions



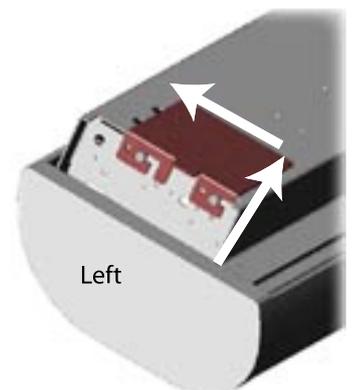
ITEM	80"	96"
A	2096mm	2502mm
B	2230mm	2636mm
C	2380mm	2686mm



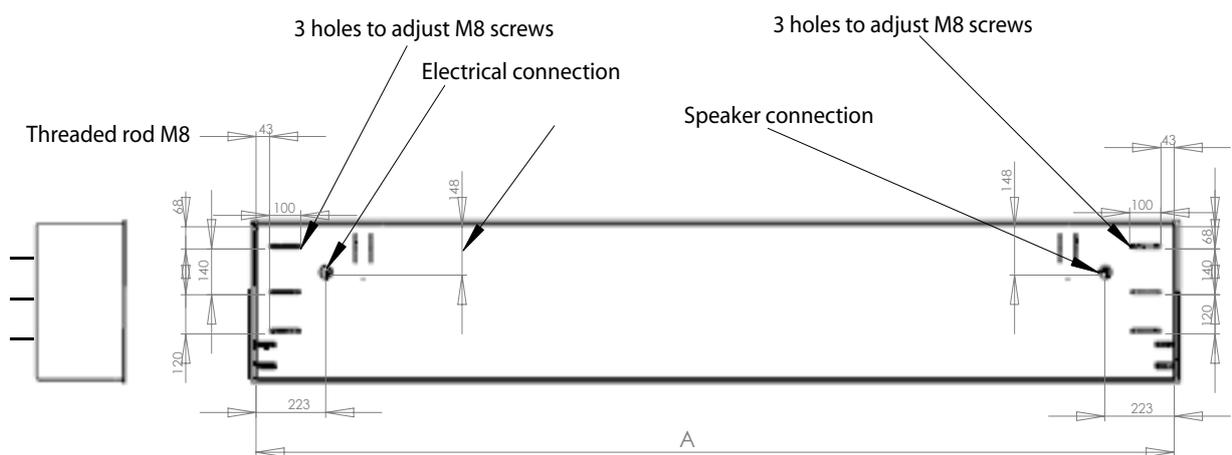
Each bracket is attached to the ceiling with four 8 mm holes. There is one left bracket and one right bracket.

LeWing is attached to the brackets by moving first up, and then towards the back. Installation requires 40 mm of clearance in front of the LeWing's final position in order to allow this movement.

LeWing is secured by two M6x25 screws and two M8x20 (supplied).



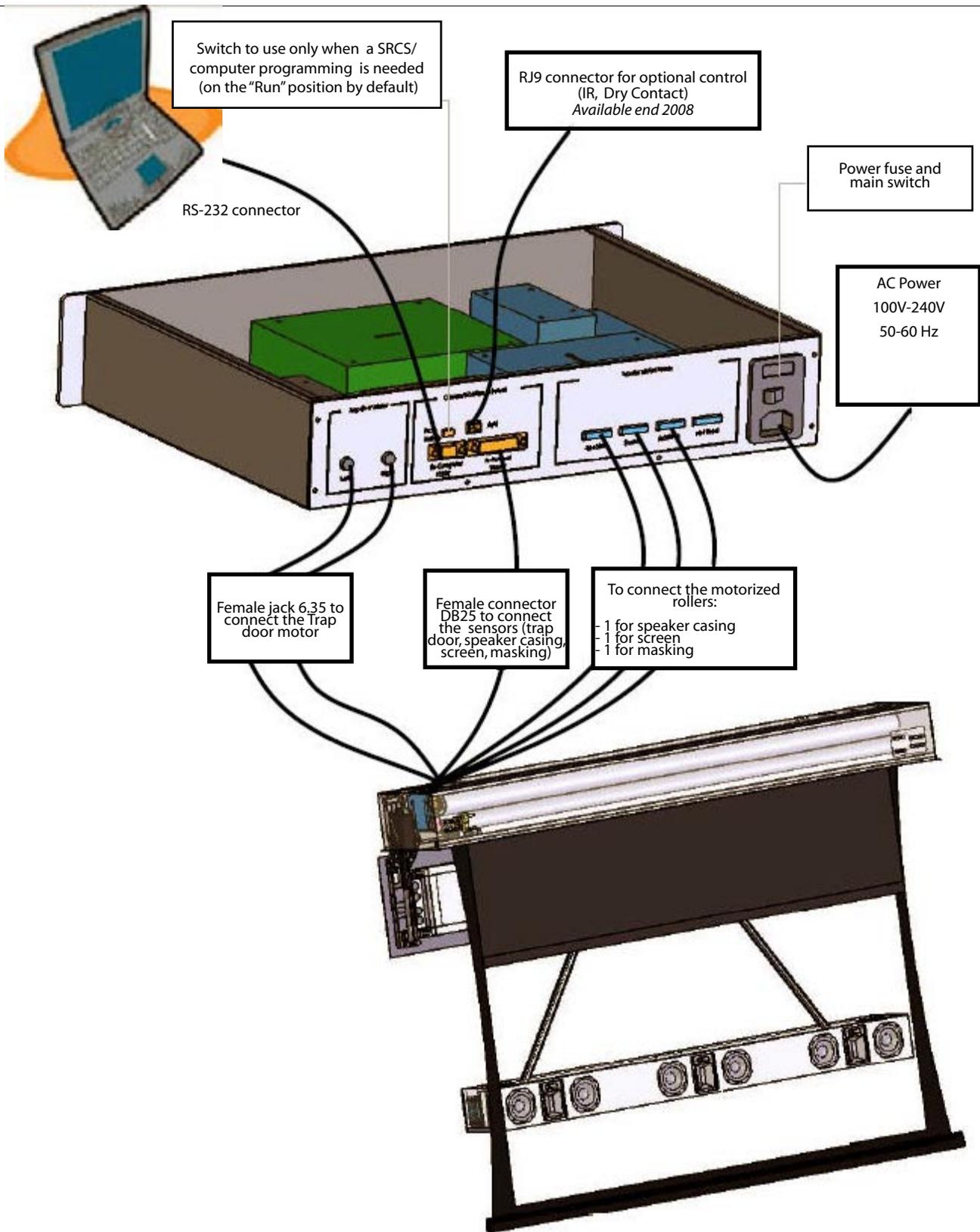
LeWing With JBL2 / JBL3 / JBL4 / In-Ceiling Mounting Dimensions



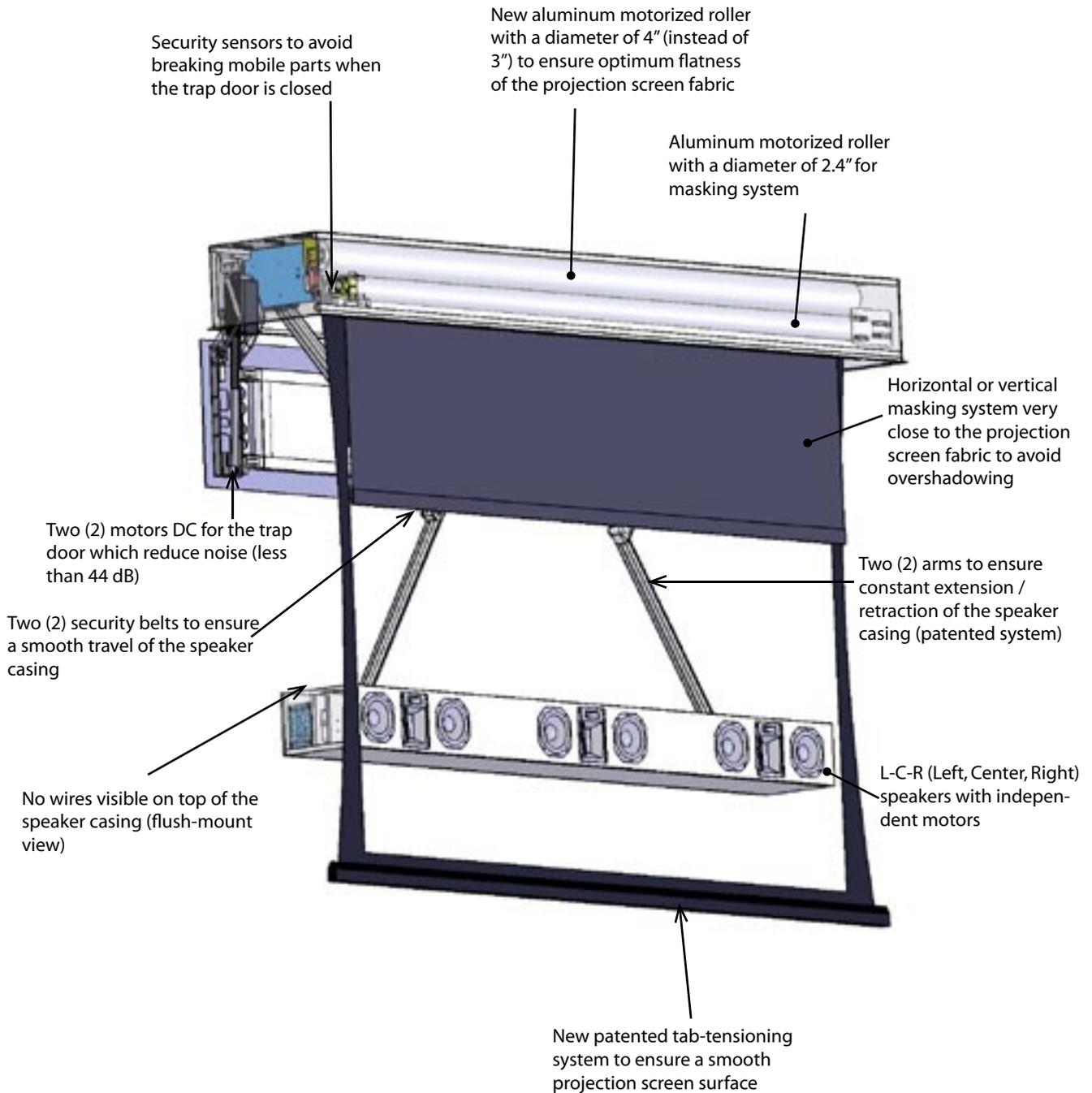
Audience side

Top view

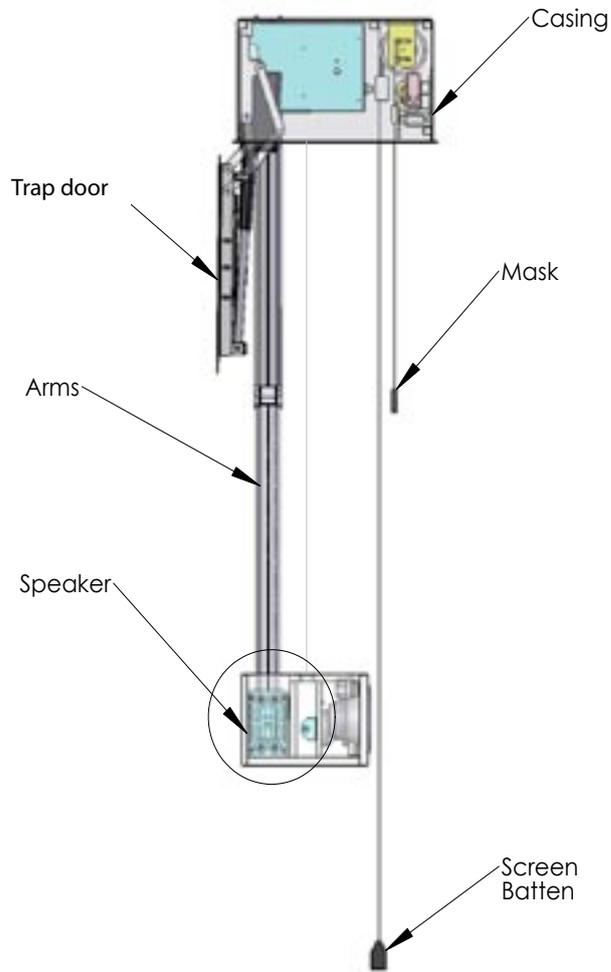
LeWing In-Ceiling Connections



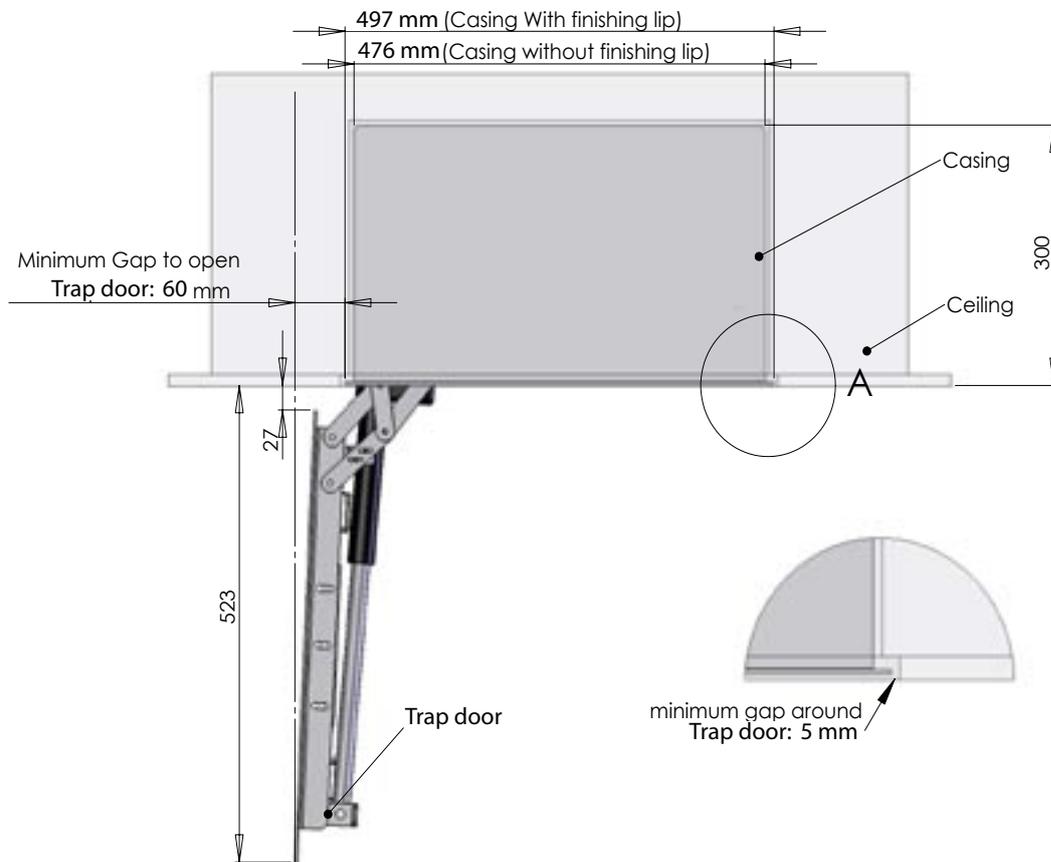
ADDENDUM 1 - LeWing In-Ceiling Features



ADDENDUM 2 - LeWing In-Ceiling Speaker Casing Features

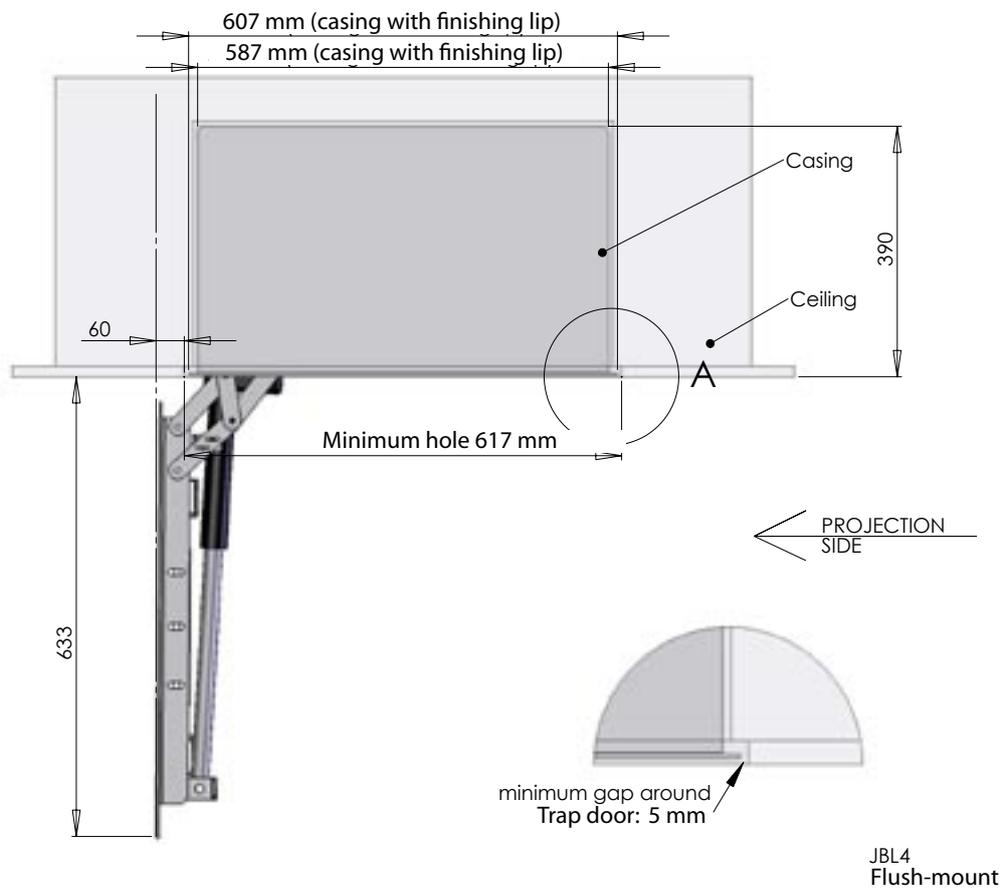


ADDENDUM 3 - LeWing JBL2 / JBL3 Trap Door Features



Mounting dimension with trap door open (flush-mount)

ADDENDUM 4 - LeWing With JBL4 Trap Door Features



Mounting dimension with trap door open (flush-mount)

Legal Information

Copyright© 2008 Screen Research
All Rights Reserved
16 rue Pasteur
PA du Ragon
44119 Treillières
FRANCE
Tel: +33 (0)2 40 77 87 89
Fax: +33 (0)2 40 77 86 78

All Rights Reserved

This publication is protected by copyright and all rights are reserved. No part of it may be reproduced or transmitted by any means or in any form, without prior consent in writing from Screen Research.

The information in this manual has been carefully checked and is believed to be accurate. However, changes are made periodically. These changes are incorporated in newer publication editions. Screen Research may improve and/or change products described in this publication at any time. Due to continuing system improvements, Screen Research is not responsible for inaccurate information which may appear in this document. For the latest product updates, consult the Screen Research web site at www.screenresearch.com. In no event will Screen Research be liable for direct, indirect, special, exemplary, incidental, or consequential damages resulting from any defect or omission in this manual, even if advised of the possibility of such damages.

In the interest of continued product development, Screen Research reserves the right to make improvements in this manual and the products it describes at any time, without notices or obligation.

Trademark Acknowledgments

ClearPix1™, ClearPix2™ and SolidPix™ are trademarks of Screen Research.
All other product names mentioned herein are used for identification purpose only, and may be the trademarks or registered trademarks of their respective companies.

For late-breaking news and handy references visit our Website at: <http://screenresearch.com>



+33 (0)2 40 77 87 89 (France)
(925) 454-9900 (USA)



sales@screenresearch.com
or: customercare@screenresearch.com