

SolidPix Integrated Type J Fixed-Frame Screen Technical Data Sheet



Screen Research

Rue du Finistere
ZAC Erdre Active
44240 La Chapelle sur Erdre, France
Tel. +33 (0) 2 40 77 87 89
Fax +33 (0) 2 40 77 86 78
<http://www.screenresearch.com>
info@screenresearch.com

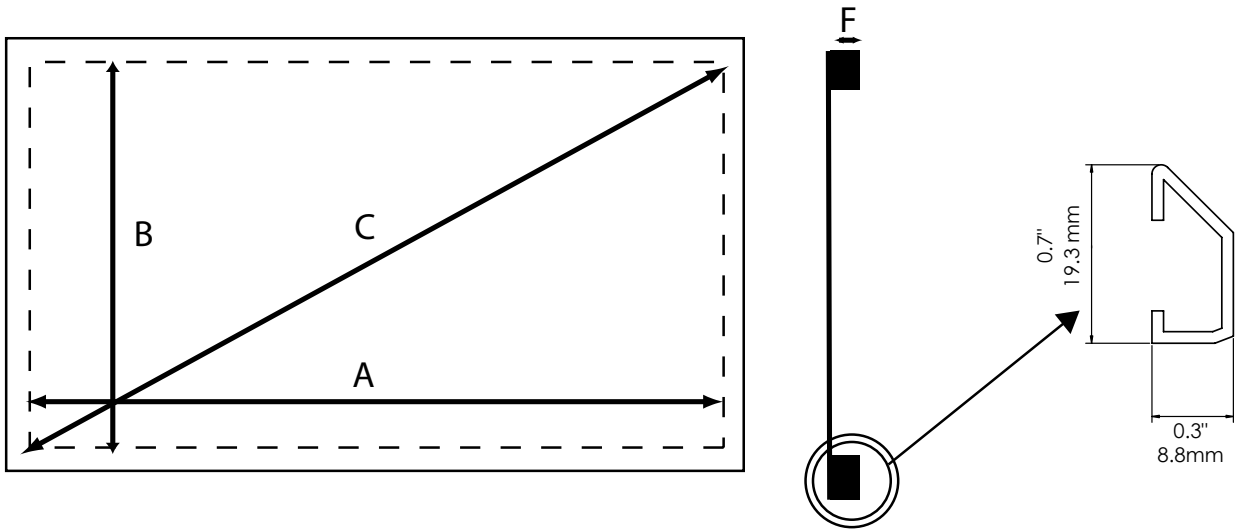
SolidPix Integrated Type J Fixed-Frame Screen Technical Data Sheet

Updating

Action: W: Written R: Page revised A: Page added D: Page deleted C: Rewritten completely					
Date	Rev. N°	Action	Rev. Pages	New Pages	Reason For Revision
2006.12.05	A	W		all	- New document.
2006.12.05	B	R	5,6,7		- Deletion of the item "Weight". Products weights are under controlling, Please contact your distributor if you need some information.

SolidPix Integrated Type J Fixed-Frame Screen Technical Data Sheet

SolidPix1 Integrated Type J - Product Dimensions 1.78 (16:9)

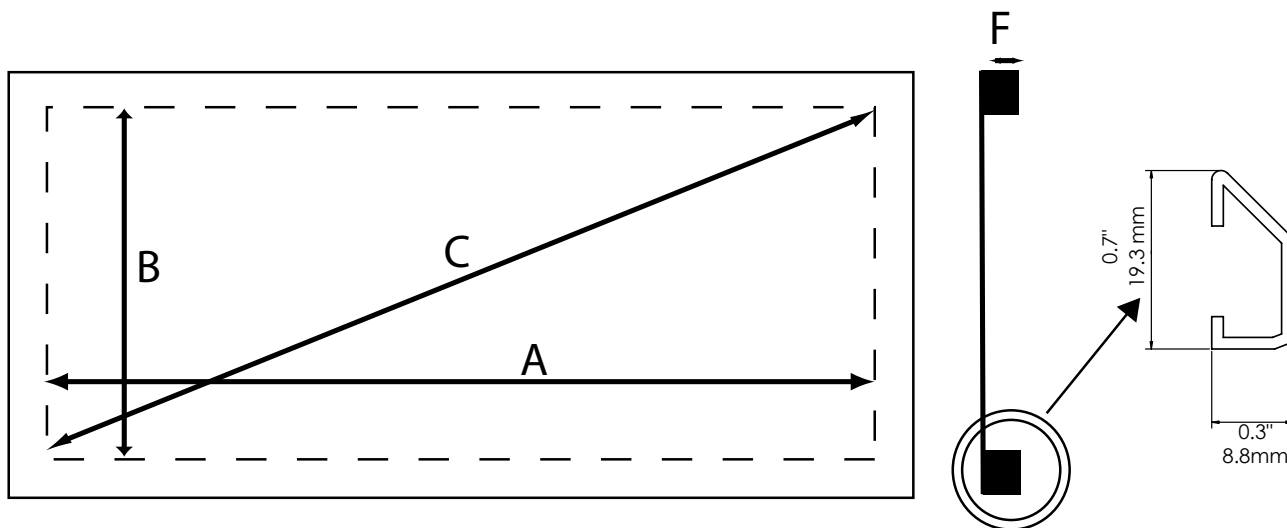


ITEM	OBJECT	70	80	90	100	110	120	130	140	150
A	Image width	70" 1778mm	80" 2032mm	90" 2286mm	100" 2540mm	110" 2794mm	120" 3048mm	130" 3302mm	140" 3556mm	150" 3810mm
B	Image height	39,4" 1001mm	45" 1143mm	50,6" 1285mm	56,3" 1430mm	61,9" 1572mm	67,5" 1715mm	73,1" 1857mm	78,8" 2002mm	84,4" 2144mm
C	Image Diag	80,3" 2040mm	91,8" 2331mm	103,2" 2622mm	114,8" 2915mm	126,2" 3206mm	137,7" 3497mm	149,1" 3788mm	160,7" 4081mm	172,1" 4372mm
F	Frame depth	0,4" 11mm								
	Numbers Of Extrusion Bars	6	7	8	8	9	10	10	11	12

Tolerance spec on all screens dimensions are +/- 6mm (1/4")
 The bars and the Pi Grip are delivered 45" (1.15 m) long

SolidPix Integrated Type J Fixed-Frame Screen Technical Data Sheet

SolidPix1 Integrated Type J - Product Dimensions 2.35

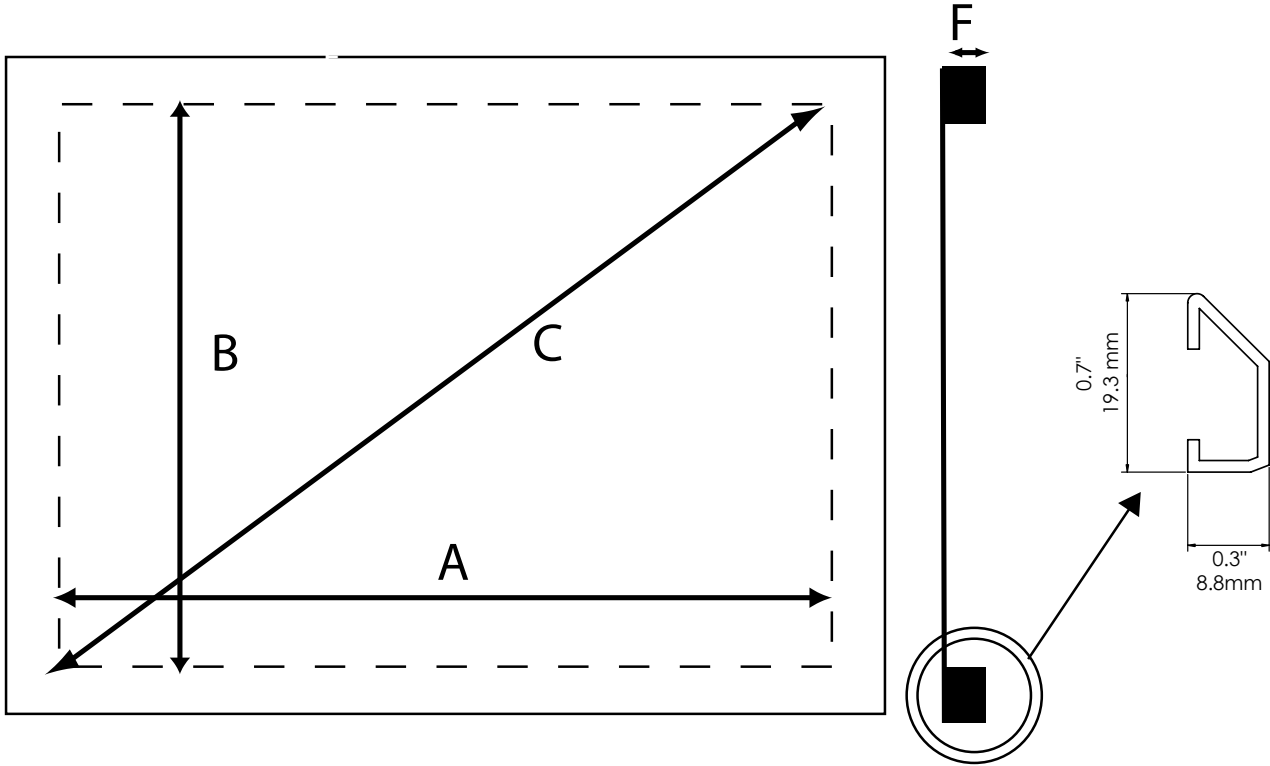


ITEM	OBJECT	70	80	90	100	110	120	130	140	150	160	170	180	190	200
A	Image width	70" 1778mm	80" 2032mm	90" 2286mm	100" 2540mm	110" 2794mm	120" 3048mm	130" 3302mm	140" 3556mm	150" 3810mm	160" 4064mm	170" 4318mm	180" 4572mm	190" 4826mm	200" 5080mm
B	Image height	29,8" 757mm	34" 864mm	38,3" 973mm	42,6" 1082mm	46,8" 1189mm	51,1" 1298mm	55,3" 1405mm	59,6" 1514mm	63,8" 1621mm	68,1" 1730mm	72,3" 1836mm	76,6" 1946mm	80,9" 2055mm	85,1" 2162mm
C	Image Diag	76,1" 1932mm	86,9" 2208mm	97,8" 2484mm	108,7" 2761mm	119,5" 3036mm	130,4" 3313mm	141,3" 3588mm	152,2" 3865mm	163" 4141mm	173,9" 4417mm	184,7" 4692mm	195,6" 4969mm	206,5" 5245mm	217,4" 5521mm
F	Frame depth	0,4" 11mm													
G	Numbers Of Extrusion Bars	6	7	7	8	8	9	10	10	11	12	12	13	13	14

Tolerance spec on all screens dimensions are +/- 6mm (1/4")
 The bars and the Pi Grip are delivered 45" (1.15 m) long

SolidPix Integrated Type J Fixed-Frame Screen Technical Data Sheet

SolidPix1 Integrated Type J - Product Dimensions 1.33 (4:3)



ITEM	OBJECT	70	80	90	100	110
A	Image width	70" 1778mm	80" 2032mm	90" 2286mm	100" 2540mm	110" 2794mm
B	Image height	52,6" 1336mm	60,2" 1529mm	67,7" 1720mm	75,2" 1910mm	82,7" 2101mm
C	Image Diag	87,6" 2224mm	100,1" 2543mm	112,6" 2861mm	125,1" 3178mm	137,6" 3496mm
F	Frame depth	0,4"				
	Numbers Of Extrusion Bars	7	8	8	9	10

Tolerance spec on all screens dimensions are +/- 6mm (1/4")
 The bars and the Pi Grip are delivered 45" (1.15 m) long

SolidPix Integrated Type J Fixed-Frame Screen Technical Data Sheet

Product Codes

1.78 (16:9) Format

SolidPix1 Integrated Type J	
	1.78 (16:9)
Image Width	Product code
70" (1780mm)	FJ-70-178-S1W-P
80" (2032mm)	FJ-80-178-S1W-P
90" (2286mm)	FJ-90-178-S1W-P
100" (2540mm)	FJ-100-178-S1W-P
110" (2794mm)	FJ-110-178-S1W-P
120" (3050mm)	FJ-120-178-S1W-P
130" (3302mm)	FJ-130-178-S1W-P
140" (3556mm)	FJ-140-178-S1W-P
150" (3810mm)	FJ-150-178-S1W-P

2.35 Format

SolidPix1 Integrated Type J	
	2.35
Image Width	Product code
70" (1780mm)	FJ-70-235-S1W-P
80" (2032mm)	FJ-80-235-S1W-P
90" (2286mm)	FJ-90-235-S1W-P
100" (2540mm)	FJ-100-235-S1W-P
110" (2794mm)	FJ-110-235-S1W-P
120" (3050mm)	FJ-120-235-S1W-P
130" (3302mm)	FJ-130-235-S1W-P
140" (3556mm)	FJ-140-235-S1W-P
150" (3810mm)	FJ-150-235-S1W-P
160" (4064mm)	FJ-160-235-S1W-P
170" (4318mm)	FJ-170-235-S1W-P
180" (4572mm)	FJ-180-235-S1W-P
190" (4826mm)	FJ-190-235-S1W-P
200" (5080mm)	FJ-200-235-S1W-P

1.33(4:3) Format

SolidPix1 Integrated Type J	
	1.33 (4:3)
Image Width	Product code
70" (1780mm)	FJ-70-133-S1W-P
80" (2032mm)	FJ-80-133-S1W-P
90" (2286mm)	FJ-90-133-S1W-P
100" (2540mm)	FJ-100-133-S1W-P
110" (2794mm)	FJ-110-133-S1W-P

SolidPix Integrated Type J Fixed-Frame Screen Technical Data Sheet

Screen Size

Fixed Screens are produced at standard sizes in 10" increments. Custom intermediate and larger sizes are available upon request, as are custom aspect ratios.

Fabrics

Our Integrated Type J Fixed-Frame Screens are available with our SolidPix1 projection screen material. Please refer to our Fabrics technical data sheet for details on the fabrics themselves.

Customization

Screen Research does its utmost to respond to particular product needs. We provide a range of customization options to ensure that our screen fits perfectly into your environment.

Warranty

Screen Research's warranty covers defects in workmanship and materials, provided this product has been installed in a normal environment and maintained according to the written instructions. Frame and assembly hardware are guaranteed for two years from date of installation, not to exceed 27 months from the date of invoice. The Screen surface is guaranteed for one year from the date of installation, not to exceed 15 months from date of invoice.

Screen Research

Rue du Finistere
ZAC Erdre Active
44240 La Chapelle sur Erdre, France
Tel. +33 (0) 2 40 77 87 89
Fax +33 (0) 2 40 77 86 78
<http://www.screenresearch.com>
info@screenresearch.com